

Category: INFORMATIONAL

20thth December, 2005

Web Services Data Access and Integration – The Relational Realisation (WS-DAIR) Specification, Version 1.0

Status of This Memo

This memo provides information regarding the specification of service-based interfaces to relational data resources. Distribution is unlimited.

Copyright Notice

Copyright © Global Grid Forum (2005). All Rights Reserved.

Abstract

Data resources play a significant role in many applications across multiple domains. Web services provide implementation neutral facilities for describing, invoking and orchestrating collections of networked resources. The GGF (Global Grid Forum) Open Grid Services Architecture (OGSA), and its associated specifications, defines consistent interfaces through web services to components of the grid infrastructure. Both the web and grid communities stand to benefit from the provision of consistent and agreed web service interfaces for data resources and the systems that manage them.

This document presents a specification for a collection of data access interfaces for relational data resources, which extends interfaces defined in the “Web Services Data Access and Integration” document [WS-DAI].

Related DAIS specifications define how other data resources and systems can be described and manipulated through web services. The DAIS specifications form part of a broader activity within the GGF to develop OGSA. The DAIS specifications can be applied in regular web services environments or as part of a grid fabric.

Contents

Abstract	1
1. Introduction	4
1.1 Specification Scope	4
1.2 Specification Organisation	4
1.3 Interface Composition	4
2. Notational Conventions	4
3. Terminology	5
3.1 Relational Data Resource	5
4. Concepts	5
4.1 Relational interfaces	5
4.2 Relationships with other specifications	6
5. SQLAccess	6
5.1 Static SQLAccess Description	6
5.1.1 CIMDescription	7
5.1.2 DatasetMap	7
5.1.3 SQLPropertyDocument	7
5.2 Configurable SQLAccess Description	8
5.3 Example SQLPropertyDocument	8
5.4 SQLAccess Messages	8
5.4.1 SQLAccess::GetSQLPropertyDocument	9
5.4.2 SQLAccess::SQLExecute	10
5.5 SQLAccessFactory Messages	11
5.5.1 SQLAccessFactory::SQLExecuteFactory	11
6. SQLResponse	13
6.1 Static SQLResponse Description	13
6.1.1 SQLResponseItem	13
6.1.2 NumberOfSQLRowSets	13
6.1.3 NumberOfSQLUpdateCounts	13
6.1.4 NumberOfSQLReturnValues	13
6.1.5 NumberOfSQLOutputParameters	13
6.1.6 NumberOfSQLCommunicationsAreas	14
6.1.7 SQLResponsePropertyDocument	14
6.2 Configurable SQLResponse Description	14
6.3 Example SQLResponsePropertyDocument	14
6.4 SQLResponse Messages	15
6.4.1 SQLResponse::GetSQLResponsePropertyDocument	15
6.4.2 SQLResponse::GetSQLResponseItem	16
6.4.3 SQLResponse::GetSQLRowSet	16
6.4.4 SQLResponse::GetSQLUpdateCount	17
6.4.5 SQLResponse::GetSQLReturnValue	17
6.4.6 SQLResponse::GetSQLOutputParameter	18
6.4.7 SQLResponse::GetSQLCommunicationsArea	18
6.5 SQLResponseFactory Messages	19
6.5.1 SQLResponseFactory::SQLRowsetFactory	19
7. SQLRowSet	20
7.1 Static SQLRowset Description	20
7.1.1 RowSchema	20
7.1.2 NoOfRows	21
7.1.3 SQLRowsetPropertyDocument	21
7.2 Configurable SQLRowset Description	21
7.2.1 AccessMode	21
7.3 Example SQLRowsetPropertyDocument	21
7.4 SQLRowSet Messages	22
7.4.1 SQLRowset::GetSQLRowsetPropertyDocument	22

7.4.2	SQLRowsetAccess::GetTuples	23
8.	Mapping to WSDL	23
9.	Security Considerations.....	23
10.	Conclusion	24
	Editor Information	24
	Contributor Information	25
	Acknowledgements	25
	Intellectual Property Statement	26
	Full Copyright Notice	26
	References.....	27
	Appendix A.1 – SQLAccess XML Schema.....	27
	Appendix A.2 – SQLAccess WSDL.....	29
	Appendix B.1 – SQLResponse XML Schema.....	32
	Appendix B.2 – SQLResponse WSDL.....	33
	Appendix C.1 – SQLRowSetAccess XML Schema	38
	Appendix C.2 – SQLRowSetAccess WSDL	39

1. Introduction

Data access plays a central role for many types of grid applications. Data access generally involves the retrieval, manipulation and insertion of data, which may be stored using a range of different formats and infrastructures.

This document presents a specification for a collection of data access interfaces for relational data resources. A relational data resource is a data source/sink that is characteristic of relational database systems, e.g., can be queried or updated using SQL.

This document should be read in conjunction with the “Web Services Data Access and Integration” document [WS-DAI]. These specifications have been developed for representing data resources as web services, and form part of a broader activity within the Global Grid Forum to develop the Open Grid Services Architecture (OGSA) [OGSA].

1.1 Specification Scope

The base interfaces and properties for data services are described in the *Web Services Data Access and Integration* specification [WS-DAI]. This specification extends these interfaces to allow access to and provide descriptions of relational data resources. Relational data resources are assumed to be composed of tabular data structures such as relations and result sets which are typically accessed either using SQL queries or by row iteration, respectively.

1.2 Specification Organisation

This specification separates the function of a data service from its operational representation as expressed in WSDL.

The specification is described using the notational conventions and terminology defined in Sections 2 and 3, and employs the concepts described in Section 4. Sections 5, 6 and 7 describe the interfaces for executing SQL statements, accessing the results of SQL queries and for iterating through result sets, respectively. A mapping to WSDL is described in Section 8, Section 9 discusses security, and Section 10 draws conclusions.

1.3 Interface Composition

This specification does not mandate how interfaces are composed into services; the proposed interfaces may be used in isolation or in conjunction with others. Viable compositions of interfaces will, initially, follow established patterns for data access.

2. Notational Conventions

The key words “MUST,” “MUST NOT,” “REQUIRED,” “SHALL,” “SHALL NOT,” “SHOULD,” “SHOULD NOT,” “RECOMMENDED,” “MAY,” and “OPTIONAL” are to be interpreted as described in RFC-2119 [RFC2119].

When describing concrete XML Schemas and XML instance fragments, this specification uses the notational convention of [WS-Security]. Specifically, each member of an element’s children or attributes property is described using an XPath-like notation (e.g., `/x:MyHeader/x:SomeProperty/@value1` indicates that namespace `x` is being used, the root element `MyHeader` and a child element `SomeProperty` with an attribute `value1`). The use of `{any}` indicates the presence of an element wildcard (`<xsd:any/>`). The use of `@{any}` indicates the presence of an attribute wildcard (`<xsd:anyAttribute/>`).

In the body of the specification, when patterns of messages are described, the layout of the XML of each message is presented, as opposed to the XML schema; the XML Schema is provided in

Appendix A. The following notation is used to indicate cardinality of XML elements in the XML fragments:

- * zero or more
- + one or more
- ? zero or one

Where no notation is added to an element, one instance of the element is expected.

This specification generally adopts the terminology defined in the Open Grid Services Architecture Glossary of Terms [OGSA Glossary]. This terminology is extended in Section **Error! Reference source not found.**

This specification uses namespace prefixes throughout; these are listed in the table below. Note that the choice of any namespace prefix is arbitrary and is not semantically significant.

Prefix	Namespace
xsd	http://www.w3.org/2001/XMLSchema
wsdai	http://www.ggf.org/namespaces/2005/12/WS-DAI
wsdair	http://www.ggf.org/namespaces/2005/12/WS-DAIR
wsa	http://www.w3.org/2005/08/addressing
wrs	http://java.sun.com/xml/ns/jdbc

3. Terminology

Model-independent terminology, i.e., data resource, data service, consumer and data set, is given in the Web Services Data Access and Integration specification [WS-DAI], henceforth referred to as the WS-DAI specification.

3.1 Relational Data Resource

A relational data resource is a data source/sink that is characteristic of relational database systems, i.e., can be queried or updated using SQL.

4. Concepts

This section assumes familiarity with the concepts section in the WS-DAI specification.

4.1 Relational interfaces

The word interface refers to the collections of messages and XML structures that describe the ways in which a consumer can validly, through DAIS, interact with a data service. It is not intended to refer specifically to the proposed use of the word interface found in the current working draft of the WSDL 2.0 specification, although this may be an appropriate mapping in the future.

This specification extends the base interfaces and corresponding properties defined in the WS-DAI specification to provide access to relational data resources. Direct access allows the results to be delivered to the consumer in the response message. To cater for this mode of operation the following interfaces are defined:

- *SQLAccessDescription*: extends the properties enumerated in the WS-DAI specification to provide information about access properties and capabilities of a relational data resource.
- *SQLAccess*: provides access to a relational data resource.

In addition, indirect access is supported through the use of the factory pattern. This allows data, usually the result of a query, to be accessed by way of a new service managed data resource,

and thus the data is not returned directly to the consumer. To cater for this mode of operation the following interfaces are defined:

- *SQLAccessFactory*: provides access to results derived from a relational data resource.
- *SQLResponseFactory*: provides access to a SQL response, usually the result of a SQL SELECT statement.

To support access to the data resources resulting from the use of the factory pattern, additional interfaces and properties are defined, in particular:

- *SQLResponseDescription*: extends the properties enumerated in the WS-DAI specification to provide information on the result of an interaction with a relational data resource.
- *SQLResponseAccess*: provides access to each type of response that can result from the execution of a SQL statement.

To support access to a data resource resulting from the use of the factory pattern that contains a row set, the following interfaces and properties are defined:

- *SQLRowSetDescription*: provides information about a particular instance of a query result that a data service may represent. This interface makes information about the schema for representing the query result and the number of rows within the SQLRowSet available.
- *SQLRowSetAccess*: provides access to a set of rows, which are usually the result of a SQL SELECT statement.

These interfaces, and their corresponding properties, are specified in Sections 5 to 7.

4.2 Relationships with other specifications

WS-DAIR does not specify its own query/update languages for relational data resources. It acts as a channel for existing relational query and update languages to be conveyed to relational data resources or data resources that support relational capabilities. As such, WS-DAIR relies on existing relational query and update languages. In this specification, interface support is provided for languages based on the following standards:

- SQL: an ISO standard defining a language for querying and updating relational data resources. The DAIS relational realization does not mandate any particular version of SQL and MAY accommodate vendor specific extensions.
- WebRowSet: a Java Community Process standard for relational results is one of the valid *ResponseTypes* for responses from SQLAccess operations
- CIM: is the Common Information Model, a DMTF standard, to which the DAIS-WG has submitted a proposal for extension to include relational database properties [CIM]. An XML version of the CIM model will be used to describe relational data resources.

5. SQLAccess

5.1 Static SQLAccess Description

The elements described in this section extend those define in the WS-DAI specification. They are contained within a SQLPropertyDocument element that extends the PropertyDocument type defined in the WS-DAI specification.

5.1.1 CIMDescription

This property is a placeholder that will allow an XML representation of the DMTF CIM to be added providing metadata about the underlying relational data resource¹.

```
<xsd:element name="CIMDescription">
  <xsd:complexType>
    <xsd:sequence>
      <xsd:any namespace="http://www.dmtf.org/cim/?????"
        processContents="strict"
        minOccurs="0" maxOccurs="unbounded"/>
    </xsd:sequence>
  </xsd:complexType>
</xsd:element>
```

/wsdair:CIMDescription

Allows content from the XML DMTF CIM to be exposed through the data service.

Note that the namespace for the DMTF CIM work has not been defined as yet.

5.1.2 DatasetMap

The DatasetMap property is defined in the core specification [WS-DAI] to describe the valid dataset formats that may be requested. All services adopting the SQLAccess interface MUST provide at least the following value to indicate that rowset datasets can be returned in WebRowSet [JSR114] format.

```
<wsdai:DatasetMap>
  <wsdai:MessageQName>wsdair:SQLExecute</wsdai:MessageQName>
  <wsdai:DatasetFormatURI>http://java.sun.com/xml/ns/jdbc
</wsdai:DatasetFormatURI>
</wsdai:DatasetMap>
```

Other valid dataset formats to be used in the response MAY be specified by implementers.

5.1.3 SQLPropertyDocument

This element extends the base properties defined in the WS-DAI specification to include the CIMDescription element.

```
<xsd:complexType name="SQLPropertyDocumentType">
  <xsd:complexContent>
    <xsd:extension base="wsdai:PropertyDocumentType">
      <xsd:sequence>
        <xsd:element ref="wsdair:CIMDescription" />
      </xsd:sequence>
    </xsd:extension>
  </xsd:complexContent>
</xsd:complexType>

<xsd:element name="SQLPropertyDocument" type="wsdair:SQLPropertyDocumentType"/>
```

/wsdair:SQLPropertyDocument//wsdair:SQLPropertyDocument

Describes the overall properties of a SQLAccess interface.

¹ The Database Working Group within the DMTF is working on the required extension to CIM. It is anticipated that this will be completed in time to allow this part of the specification to be tightened to include an explicit dependency.

5.2 Configurable SQLAccess Description

No additional configurable properties are defined by SQLAccess.

5.3 Example SQLPropertyDocument

A non-normative example of a SQLPropertyDocument.

```
<wsdair:SQLPropertyDocument xmlns:...>
  <wsdai:DataResourceAbstractName>urn:dais:ds:1</wsdai:DataResourceAbstractName>
  <wsdai:DataResourceManagement>ExternallyManaged</wsdai:DataResourceManagement>
  <wsdai:DatasetMap>
    <wsdai:MessageQName>wsdair:SQLExecute</wsdai:MessageQName>
    <wsdai:DatasetFormatURI>http://java.sun.com/xml/ns/jdbc</wsdai:DatasetFormatURI>
  </wsdai:DatasetMap>
  <wsdai:ConfigurationMap>
    <wsdai:MessageQName>wsdair:SQLExecuteFactory</wsdai:MessageQName>
    <wsdai:PortTypeQName>wsdair:SQLResponsePT</wsdai:PortTypeQName>
    <wsdai:ConfigurationDocumentQName>wsdai:ConfigurationDocumentType
  </wsdai:ConfigurationDocumentQName>
  <DefaultConfigurationDocument>
    <wsdai:ConfigurationDocument>
      <wsdai:DataResourceDescription>
        Data description of the data resource goes here.
      </wsdai:DataResourceDescription>
      <wsdai:Readable>true</wsdai:Readable>
      <wsdai:Writeable>true</wsdai:Writeable>
      <wsdai:TransactionInitiation>NotSupported</wsdai:TransactionInitiation>
      <wsdai:TransactionIsolation>NotSupported</wsdai:TransactionIsolation>
      <wsdai:ChildSensitiveToParent>Insensitive</wsdai:ChildSensitiveToParent>
      <wsdai:ParentSensitiveToChild>Insensitive</wsdai:ParentSensitiveToChild>
    </wsdai:ConfigurationDocument>
  </DefaultConfigurationDocument>
</wsdai:ConfigurationMap>
  <wsdai:LanguageMap>
    <wsdai:MessageQName>wsdair:SQLExecute</wsdai:MessageQName>
    <wsdai:LanguageURI>SQL-1992</wsdai:LanguageURI>
  </wsdai:LanguageMap>
  <wsdai:LanguageMap>
    <wsdai:MessageQName>wsdair:SQLExecute</wsdai:MessageQName>
    <wsdai:LanguageURI>SQL-1999</wsdai:LanguageURI>
  </wsdai:LanguageMap>
  <wsdai:LanguageMap>
    <wsdai:MessageQName>wsdair:SQLExecute</wsdai:MessageQName>
    <wsdai:LanguageURI>SQL-2003</wsdai:LanguageURI>
  </wsdai:LanguageMap>
  <wsdai:LanguageMap>
    <wsdai:MessageQName>wsdai:GenericQuery</wsdai:MessageQName>
    <wsdai:LanguageURI>http://ogsadai.org.uk/namespaces/2005/03/types
  </wsdai:LanguageURI>
</wsdai:LanguageMap>
  <wsdai:DataResourceDescription>My DB</wsdai:DataResourceDescription>
  <wsdai:Readable>true</wsdai:Readable>
  <wsdai:Writeable>true</wsdai:Writeable>
  <wsdai:ConcurrentAccess>true</wsdai:ConcurrentAccess>
  <wsdai:TransactionInitiation>NotSupported</wsdai:TransactionInitiation>
  <wsdai:TransactionIsolation>NotSupported</wsdai:TransactionIsolation>
  <wsdai:ChildSensitiveToParent>Insensitive</wsdai:ChildSensitiveToParent>
  <wsdai:ParentSensitiveToChild>Insensitive</wsdai:ParentSensitiveToChild>
  <wsdair:CIMDescription/>
</wsdair:SQLPropertyDocument>
```

5.4 SQLAccess Messages

This SQLAccess interface provides access to an underlying relational data resource by means of SQL statements. These are defined according to the message patterns from the WS-DAI specification.

Data access collects together messages that directly access or modify the data represented by a data service along with the properties that describe the behavior of these access messages, as, for example, illustrated in Figure 1. In this example, a relational data service implements the SQLAccess operations and exposes the SQLDescription properties. A consumer uses the SQLExecute message to submit a SQLExpression. The associated SQLExecuteResponse message is formatted according to the value specified in the ResponseType. The actual contents returned in the response depend on the SQLExpression used, for example:

- SELECT produces an SQLExecuteResponse with:
 - (SQLRowSet, SQLCommunicationsArea*)
- INSERT, UPDATE, DELETE produces an SQLExecuteResponse with:
 - (SQLUpdateCount+, SQLCommunicationsArea*)
- A StoredProcedure produces an SQLExecuteResponse with:
 - (SQLRowSet*,SQLReturnValue?,SQLOutputParameter*,SQLCommunicationsArea*)
- A UserDefinedFunction produces an SQLExecuteResponse with:
 - (SQLReturnValue?, SQLCommunicationsArea*)

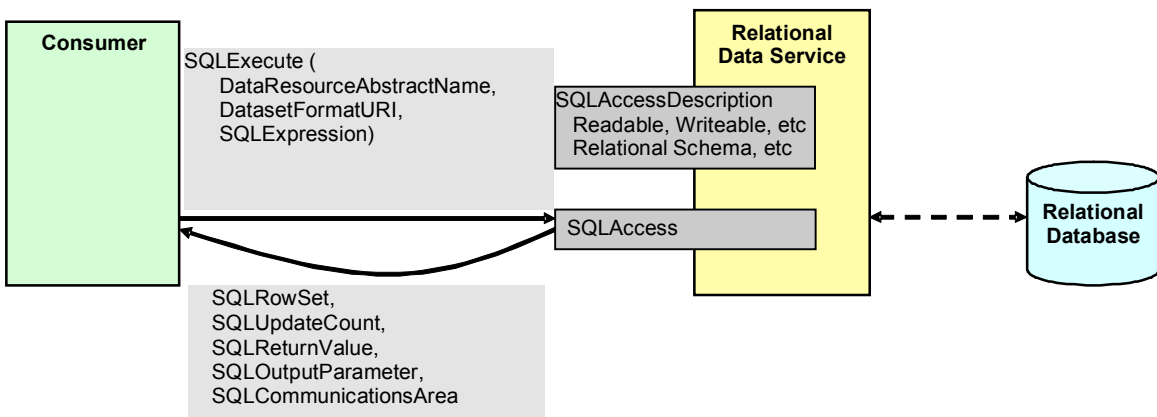


Figure 1 – Overview – SQLAccess

5.4.1 SQLAccess::GetSQLPropertyDocument

Provides a mechanism for obtaining a copy of the SQLAccessDescription.

Input

- GetSQLDocumentPropertyRequest
 - DataResourceAbstractName – the abstract name of the resource for which properties are required.

Output

- GetSQLDocumentPropertyResponse
 - PropertyDocument – the properties described in the data description section.

Faults

- InvalidResourceNameFault – the supplied resource name is not known to the service.

5.4.2 SQLAccess::SQLExecute

Directs a SQLExpression and optional SQLExecuteRequestParameters to a relational data resource. The SQLExecuteRequestParameters are used for passing values to Stored Procedures and User Defined Functions.

The SQLExecuteResponse combines statically typed and dynamically typed structures. Static typing is used for the status values and for single values output. The tabular output of the rowset is provided in a format dynamically determined by the input DatasetFormatURI.

Input

- SQLExecuteRequest
 - DataResourceAbstractName – the abstract name of the resource the message is targeted at.
 - DatasetFormatURI? – the format used to represent a SQLRowSet in the corresponding SQLExecuteResponse.
 - SQLExpression
 - SQLExpression – any SQL statement.
 - SQLExpressionParameters* – any SQL parameters that need to be substituted into the supplied SQLExpression if it is a call to a stored procedure or function. These parameters are bound by the position in which they appear in the SQLExecuteRequest.
 - Value – the value to be used for the parameter.
 - Type – the data type.
 - Mode - specify whether the parameter is in, out or inout according to the parameter.

Output

- SQLExecuteResponse
 - SQLDataSet
 - DatasetFormatURI - the URI of the dataset format being returned as defined in the DatasetMap.
 - DatasetData – any data returned in response to a query.
 - SQLUpdateCount* – the number of rows that were affected by an SQL update if this was the type of SQL statement used.
 - SQLOutputParameter* – where any output from a SQL stored procedure output parameter goes.
 - index – index of the parameter.
 - value – the value of the parameter.
 - SQLReturnValue? – the return value from a SQL stored procedure.
 - SQLCommunicationsArea+ – exposes any output from the SQL Communications Area.
 - SQLState – an XOPEN or SQL code identifying the Exception, Warning or Message.
 - VendorCode – a database vendor-specific code for the Exception, Warning or Message.
 - MessageText – a text description of the Exception, Warning or Message.

Faults

- InvalidResourceNameFault – the supplied resource name is not known to the service.
- InvalidDatasetFormatFault – the supplied dataset format is not known to the service.
- InvalidExpressionFault – the supplied expression is not of a form known to the service.
- InvalidLanguageFault – the supplied expression language is not known to the service.
- NotAuthorizedFault – the consumer is not authorized to perform this operation at this time.
- ServiceBusyFault – the service is already processing a request and ConcurrentAccess is false.

- InvalidSQLExpressionParametersFault – parameters do not match SQLExpression.

5.5 SQLAccessFactory Messages

The SQLExecuteFactory operation is used to create a relationship between a data resource representing the result of a request and the service by which it is accessed. Once again the message patterns defined in the WS-DAI specification for these types of messages are followed.

Figure 2 illustrates the SQLAccessFactory interface. The SQLExecuteFactory operation is used to construct the derived SQLResponse data service. This service provides access to the SQLRowSet resulting from a SQLExpression against the relational database, assuming that the expression contains a SELECT statement. The SQLRowSet is the result of a SQL query over the database. The SQLRowSet could be stored as a table in a relational database or decoupled from the database, but the important distinction here is that the data is accessed as a collection of rows that does not implement the SQLAccess portType. Instead, the SQLResponse data service allows the SQLRowSet to be retrieved through the operations of the SQLResponseAccess interface.

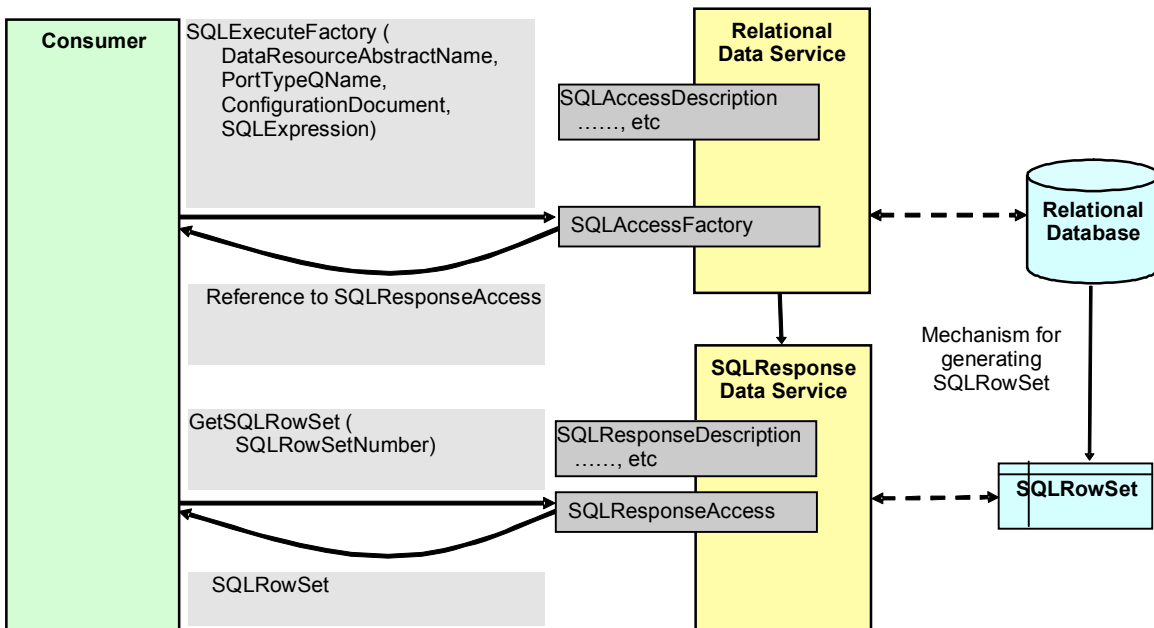


Figure 2 – Overview – SQLAccessFactory

5.5.1 SQLAccessFactory::SQLExecuteFactory

Create a new data service that corresponds to the results of a SQL Query.

Input

- SQLExecuteFactoryRequest
 - DataResourceAbstractName – the abstract name of the resource the message is targeted at.
 - PortTypeQName? – the QName of the portType through which the resulting data should be accessed.
 - ConfigurationDocument? – a document that specifies the properties of the data resource that is to be used to hold the resulting data. The properties contained in this document are defined in the WS-DAI specification.

- PreferredTargetService? – the EPR of the preferred service that is to act as the host for the new data resource
- SQLExpression:
 - SQLExpression – any SQL statement.
 - SQLExpressionParameters* – any SQL parameters that need to be substituted into the supplied SQLExpression if it is a call to a stored procedure or function.
 - Value – the value to be used for the parameter.
 - Type – the data type.
 - Mode - specify whether the parameter is in, out or inout according to the parameter.

Output

- SQLExecuteFactoryResponse
 - DataResourceAddress – a list of data resource address.

Faults

- InvalidResourceNameFault – the supplied resource name is not known to the service.
- InvalidPortTypeQName – the PortTypeQName specified is not in the collection defined by the ConfigurationMap property.
InvalidConfigurationDocumentFault – the ConfigurationDocument specified is not valid according to the ConfigurationDocumentQName when the ConfigurationMap is indexed by the specified PortTypeQName.
- InvalidExpressionFault – the supplied expression is not of a form known to the service.
- InvalidLanguageFault – the supplied expression language is not known to the service.
- NotAuthorizedFault – the consumer is not authorized to perform this operation at this time.
- ServiceBusyFault – the service is already processing a request and ConcurrentAccess is false.
- InvalidSQLExpressionParametersFault – parameters do not match SQLExpression.

A wsda:ConfigurationMap provides a mapping between the QName of a factory message and various properties of the factory, as defined in [WS-DAI], including a default configuration document. The following non-normative XML fragment is an example for a SQLAccess factory that is configured to produce a data service exposing a SQLResponse interface.

```
<wsda:ConfigurationMap>
  <wsda:MessageQName>wsdair:SQLExecuteFactory</wsda:MessageQName>
  <wsda:PortTypeQName>wsdai:ResponseAccessPT</wsda:PortTypeQName>
  <wsda:ConfigurationDocumentQName>
    wsdai:ConfigurationDocumentType
  </wsda:ConfigurationDocumentQName>
  <wsda:DefaultConfigurationDocument>
    <wsda:ConfigurationDocument>
      <wsda:DataResourceDescription>
        A description of the data resource would go here.
      </wsda:DataResourceDescription>
      <wsda:Readable>true</wsda:Readable>
      <wsda:Writable>true</wsda:Writable>
      <wsda:ConcurrentAccess>true</wsda:ConcurrentAccess>
      <wsda:TransactionInitiation>NotSupported</wsda:TransactionInitiation>
      <wsda:TransactionIsolation>NotSupported</wsda:TransactionIsolation>
      <wsda:ChildSensitiveToParent>Insensitive</wsda:ChildSensitiveToParent>
      <wsda:ParentSensitiveToChild>Insensitive</wsda:ParentSensitiveToChild>
    </wsda:ConfigurationDocument>
  </wsda:DefaultConfigurationDocument>
</wsda:FactoryConfigurationMap>
```

6. SQLResponse

6.1 Static SQLResponse Description

The elements defined in this section live under a `SQLResponsePropertyDocument` that extends the `PropertyDocument` defined in the WS-DAI specification.

6.1.1 SQLResponseItem

```
<xsd:complexType name="SQLResponseItemType">
  <xsd:sequence>
    <xsd:element name="ItemSequenceNumber" type="xsd:unsignedInt"/>
    <xsd:element name="Name">
      <xsd:simpleType>
        <xsd:restriction base="xsd:token">
          <xsd:enumeration value="Rowset"/>
          <xsd:enumeration value="UpdateCount"/>
          <xsd:enumeration value="ReturnValue"/>
          <xsd:enumeration value="OutputParameter"/>
          <xsd:enumeration value="CommunicationsArea"/>
        </xsd:restriction>
      </xsd:simpleType>
    </xsd:element>
  </xsd:sequence>
</xsd:complexType>

<xsd:element name="SQLResponseItem" type="wsdair:SQLResponseItemType"/>
```

`/wsdair:SQLResponseItem`

A structure holding information about a response item resulting from the execution of a SQL request. There will be an instance of this structure for each response item returned.

`/wsdair:SQLResponseItem/wsdair:SequenceNumber`

The sequence number of the response item in the full list of response items.

`/wsdair:SQLResponseItem/wsdair:Name`

The type of the response item.

6.1.2 NumberOfSQLRowSets

```
<xsd:element name="NumberOfSQLRowSets" type="xsd:unsignedInt" />
```

`/wsdair:SQLResponsePropertyDocument/wsdair:NumberOfSQLRowSets`

The total number of `SQLRowSets` in the `SQLExecuteResponse`.

6.1.3 NumberOfSQLUpdateCounts

```
<xsd:element name="NumberOfSQLUpdateCounts" type="xsd:unsignedInt" />
```

`/wsdair:SQLResponsePropertyDocument/wsdair:NumberOfSQLUpdateCounts`

The total number of `SQLUpdateCounts` in the `SQLExecuteResponse`.

6.1.4 NumberOfSQLReturnValues

```
<xsd:element name="NumberOfSQLReturnValues" type="xsd:unsignedInt" />
```

`/wsdair:SQLResponsePropertyDocument/wsdair:NumberOfSQLReturnValues`

The total number of `SQLReturnValues` in the `SQLExecuteResponse`.

6.1.5 NumberOfSQLOutputParameters

```
<xsd:element name="NumberOfSQLOutputParameters" type="xsd:unsignedInt" />
```

/wsdair:SQLResponsePropertyDocument/wsdair:NumberOfSQLOutputParameters
The total number of *SQLOutputParameters* in the *SQLExecuteResponse*.

6.1.6 NumberOfSQLCommunicationsAreas

```
<xsd:element name="NumberOfSQLCommunicationsAreas" type="xsd:unsignedInt" />
```

/wsdair:SQLResponsePropertyDocument/wsdair:NumberOfSQLCommunicationsAreas
The total number of *SQLCommunicationsAreas* in the *SQLExecuteResponse*.

6.1.7 SQLResponsePropertyDocument

```
<xsd:complexType name="SQLResponsePropertyDocumentType">
  <xsd:complexContent>
    <xsd:extension base="wsdai:PropertyDocumentType">
      <xsd:sequence>
        <xsd:element ref="wsdair:SQLResponseItem" minOccurs="0"
                    maxOccurs="unbounded"/>
        <xsd:element ref="wsdair:NumberOfSQLRowsets"/>
        <xsd:element ref="wsdair:NumberOfSQLUpdateCounts"/>
        <xsd:element ref="wsdair:NumberOfSQLReturnValues"/>
        <xsd:element ref="wsdair:NumberOfSQLOutputParameters"/>
        <xsd:element ref="wsdair:NumberOfSQLCommunicationsAreas"/>
      </xsd:sequence>
    </xsd:extension>
  </xsd:complexContent>
</xsd:complexType>

<xsd:element name="SQLResponsePropertyDocument"
             type="wsdair:SQLResponsePropertyDocumentType"/>
```

/wsdair:SQLResponsePropertyDocument
A structure that describes a *SQLResponse* data resource, combining the properties defined in the WS-DAI specification with those defined earlier in this section.

6.2 Configurable SQLResponse Description

No extra configurable properties are defined by *SQLAccess*.

6.3 Example SQLResponsePropertyDocument

A non-normative example of a *SQLResponsePropertyDocument* follows.

```
<wsdair:SQLResponsePropertyDocument xmlns:...>
  <wsdai:DataResourceAbstractName>
    urn:dais:ds2
  </wsdai:DataResourceAbstractName>
  <wsdai:DataResourceManagement>ExternallyManaged</wsdai:DataResourceManagement>
  <wsdai:ParentDataResource>
    <wsa:Address>http://www.ggf.org/services/daissqlservice</wsa:Address>
    <wsa:ReferenceParameters>
      <DataResourceAbstractName>urn:dais:ds:1</DataResourceAbstractName>
    </wsa:ReferenceParameters>
    <wsa:Metadata/>
  </wsdai:ParentDataResource>
  <wsdai:DatasetMap>
    <wsdai:MessageQName>wsdair:GetSQLRowset</wsdai:MessageQName>
    <wsdai:DatasetFormatURI>http://java.sun.com/xml/ns/jdbc</wsdai:DatasetFormatURI>
  </wsdai:DatasetMap>
  <wsdai:ConfigurationMap>
    <wsdai:MessageQName>wsdair:GetSQLRowset</wsdai:MessageQName>
    <wsdai:PortTypeQName>wsdair:SQLRowsetPT</wsdai:PortTypeQName>
    <wsdai:ConfigurationDocumentQName>
```

```

        wsdair:SQLRowsetPTConfigurationDocumentType
    </wsdai:ConfigurationDocumentQName>
    <DefaultConfigurationDocument>
        <wsdai:ConfigurationDocument>
            <wsdai:DataResourceDescription/>
            <wsdai:Readable>true</wsdai:Readable>
            <wsdai:Writable>true</wsdai:Writable>
            <wsdai:TransactionInitiation>NotSupported</wsdai:TransactionInitiation>
            <wsdai:TransactionIsolation>NotSupported</wsdai:TransactionIsolation>
            <wsdai:ChildSensitiveToParent>Insensitive</wsdai:ChildSensitiveToParent>
            <wsdai:ParentSensitiveToChild>Insensitive</wsdai:ParentSensitiveToChild>
        </wsdai:ConfigurationDocument>
    </DefaultConfigurationDocument>
</wsdai:ConfigurationMap>
<wsdai:LanguageMap>
    <wsdai:MessageQName>wsdair:GetSQLRowset</wsdai:MessageQName>
    <wsdai:LanguageURI>SQL-1992</wsdai:LanguageURI>
</wsdai:LanguageMap>
<wsdai:DataResourceDescription/>
<wsdai:Readable>true</wsdai:Readable>
<wsdai:Writable>true</wsdai:Writable>
<wsdai:ConcurrentAccess>true</wsdai:ConcurrentAccess>
<wsdai:TransactionInitiation>NotSupported</wsdai:TransactionInitiation>
<wsdai:TransactionIsolation>NotSupported</wsdai:TransactionIsolation>
<wsdai:ChildSensitiveToParent>Insensitive</wsdai:ChildSensitiveToParent>
<wsdai:ParentSensitiveToChild>Insensitive</wsdai:ParentSensitiveToChild>
<wsdair:SQLResponseItem>
    <SequenceNumber>0</SequenceNumber>
    <Name>Rowset</Name>
</wsdair:SQLResponseItem>
<wsdair:SQLResponseItem>
    <SequenceNumber>1</SequenceNumber>
    <Name>CommunicationsArea</Name>
</wsdair:SQLResponseItem>
<wsdair:NumberOfSQLRowsets>1</wsdair:NumberOfSQLRowsets>
<wsdair:NumberOfSQLUpdateCounts>0</wsdair:NumberOfSQLUpdateCounts>
<wsdair:NumberOfSQLReturnValues>0</wsdair:NumberOfSQLReturnValues>
<wsdair:NumberOfSQLOutputParameters>0</wsdair:NumberOfSQLOutputParameters>
<wsdair:NumberOfSQLCommunicationsAreas>
    1
</wsdair:NumberOfSQLCommunicationsAreas>
</wsdair:SQLResponsePropertyDocument>

```

6.4 SQLResponse Messages

This allows access to each SQLExecuteResponseType in the SQLExecuteResponse data by executing the appropriate SQLResponseAccess operation.

6.4.1 SQLResponse::GetSQLResponsePropertyDocument

Allows a copy of the SQLResponsePropertyDocument document to be retrieved.

Input

- GetSQLResponsePropertyDocumentRequest
 - DataResourceAbstractName – the abstract name of the resource from which the properties are to be obtained.

Output

- GetSQLResponsePropertyDocumentResponse
 - PropertyDocument – the properties described in the data description section.

Faults

- InvalidResourceNameFault – the supplied data resource abstract name is not known to the service.

6.4.2 SQLResponse::GetSQLResponseItem

Return a specified number of Items from a service that represents a SQL Response. This provides an alternative way to access SQL Response Items to the operations (GetSQLRowSet, GetSQLUpdateCount, etc) for SQLResponseAccess. The response type for each Item is obtained from the associated SQLResponseItem property.

Input

- GetSQLResponseItemRequest
 - DataResourceAbstractName – the abstract name of the resource from which the number of items is to be obtained.
 - DatasetFormatURI? – the format used to represent any SQLRowSets in the corresponding GetSQLResponseItemResponse.
 - Position – the position of the first item to be returned (first item is position 0).
 - Count* – the number of items to be returned. This is an OPTIONAL element. If the element is not present then 1 item will be returned. If the element is present and has the value 0 all items will be returned.

Output

- GetSQLResponseItemResponse
 - SQLDataset
 - DatasetFormatURI – the format of the DatasetData.
 - DatasetData – the result of a query present in the specified format.
 - SQLUpdateCount* – the number of rows that were affected by an SQL update if this type of SQL statement was used.
 - SQLOutputParameter* – any output from a SQL stored procedure output parameter.
 - index – index of the parameter.
 - value – the value of the parameter.
 - SQLReturnValue? – the return value from a SQL stored procedure.
 - SQLCommunicationsArea+ – any output from the SQL Communications Area.
 - SQLState – an XOPEN or SQL code identifying the Exception, Warning or Message.
 - VendorCode – a database vendor-specific code for the Exception, Warning or Message.
 - MessageText – a text description of the Exception, Warning or Message.

Faults

- InvalidResourceNameFault – the supplied data resource abstract name is not known to the service.
- InvalidDatasetFormatFault – the supplied dataset format is not known to the service.
- NotAuthorizedFault – the consumer is not authorized to perform this operation at this time.
- InvalidPositionFault – the Position does not identify a valid item of this type.
- InvalidCountFault – the Count extends beyond the list of items of this type.

6.4.3 SQLResponse::GetSQLRowSet

Get a SQLRowSet from the GetSQLRowSetResponse.

Input

- GetSQLRowSetRequest
 - DataResourceAbstractName – abstract name of the resource from which the data is to be obtained.
 - DatasetFormatURI? – the URI of the format of the return rowset.
 - Position – the position of the first item to be returned (first item is position 0).

- Count? – the number of items to be returned. This is an OPTIONAL element. If the element is not present then one item will be returned. If the element is present and has the value 0 all items will be returned.

Output

- GetSQLRowSetResponse
 - Dataset
 - DatasetFormatURI - the URI of the format of the return rowset.
 - DatasetData – the requested SQLRowSets, e.g. WebRowSet see [JSR114].

Faults

- InvalidResourceNameFault – the supplied data resource abstract name is not known to the service.
- InvalidDatasetFormatFault – the supplied dataset format is not known to the service.
- NotAuthorizedFault – the consumer is not authorized to perform this operation at this time.
- InvalidPositionFault – the Position does not identify a valid item of this type.
- InvalidCountFault – the Count extends beyond the list of items of this type.

6.4.4 SQLResponse::GetSQLUpdateCount

Get a SQLUpdateCount from the GetSQLUpdateCountResponse.

Input

- GetSQLUpdateCountRequest
 - DataResourceAbstractName – the abstract name of the resource from which the data is to be obtained.
 - Position – the position of the first item to be returned. The first item is position 0.
 - Count? – the number of items to be returned. This is an OPTIONAL element. If the element is not present then one item will be returned. If the element is present and has the value 0 all items will be returned.

Output

- GetSQLUpdateCountResponse
 - SQLUpdateCount+ – the requested SQLUpdateCounts.

Faults

- InvalidResourceNameFault – the supplied data resource abstract name is not known to the service.
- NotAuthorizedFault – the consumer is not authorized to perform this operation at this time.
- InvalidPositionFault – the Position does not identify a valid item of this type.
- InvalidCountFault – the Count extends beyond the list of items of this type.

6.4.5 SQLResponse::GetSQLReturnValue

Get a SQLReturnValue from the GetSQLReturnValueResponse.

Input

- GetSQLReturnValueRequest
 - Request a SQL return value.

Output

- GetSQLReturnValueResponse
 - SQLReturnValue? – the requested SQLReturnValue.

Faults

- InvalidResourceNameFault – the supplied data resource abstract name is not known to the service.
- NotAuthorizedFault – the consumer is not authorized to perform this operation at this time.
- InvalidPositionFault – the Position does not identify a valid item of this type.
- InvalidCountFault – the Count extends beyond the list of items of this type.

6.4.6 SQLResponse::GetSQLOutputParameter

Get a SQLOutputParameter from the GetSQLOutputParameterResponse.

Input

- GetSQLOutputParameterRequest
 - DataResourceAbstractName – the abstract name of the resource from which the data is to be obtained.
 - Position – the position of the first item to be returned. The first item is position 0.
 - Count? – the number of items to be returned. This is an OPTIONAL element. If the element is not present then one item will be returned. If the element is present and has the value 0 all items will be returned.

Output

- GetSQLOutputParameterResponse
 - SQLOutputParameter+ – the requested SQLOutputParameter.
 - index – index of the parameter.
 - value – the value of the parameter.

Faults

- InvalidResourceNameFault – the supplied data resource abstract name is not known to the service.
- NotAuthorizedFault – the consumer is not authorized to perform this operation at this time.
- InvalidPositionFault – the Position does not identify a valid item of this type.
- InvalidCountFault – the Count extends beyond the list of items of this type.

6.4.7 SQLResponse::GetSQLCommunicationsArea

Get a SQLCommunicationsArea from the GetSQLCommunicationsAreaResponse.

Input

- GetSQLCommunicationsAreaRequest
 - DataResourceAbstractName – the abstract name of the resource from which the data is to be obtained.
 - Position – the position of the first item to be returned. The first item is position 0.
 - Count? – the number of items to be returned. This is an OPTIONAL element. If the element is not present then one item will be returned. If the element is present and has the value 0 all items will be returned.

Output

- GetSQLCommunicationsAreaResponse
 - SQLCommunicationsArea+ – the requested SQLCommunicationsArea.
 - SQLState – an XOPEN or SQL99 code identifying the Exception, Warning or Message.
 - VendorCode – a database vendor-specific code for the Exception, Warning or Message.
 - MessageText – a text description of the Exception, Warning or Message.

Faults

- InvalidResourceNameFault – the supplied data resource abstract name is not known to the service.
- NotAuthorizedFault – the consumer is not authorized to perform this operation at this time.
- InvalidPositionFault – the Position does not identify a valid item of this type.
- InvalidCountFault – the Count extends beyond the list of items of this type.

6.5 SQLResponseFactory Messages

The SQLResponseFactory is used to provide access to a row set as a data resource, by way of a data service. Again the message exchange patterns specified in the WS-DAI specification are followed.

The example in Figure 3 presents a SQLResponseFactory interface. The SQLExecuteFactory operation is used to construct the derived SQLResponse data service, the SQLResponseFactory operation of which is in turn used to construct the derived SQLRowSet data service. This service provides access to tuples in the SQLRowSet resulting from a SQLExpression against the Relational Database.

6.5.1 SQLResponseFactory::SQLRowsetFactory

Get a Reference to a data service that provides access to a specific rowset.

Input

- SQLRowsetFactoryRequest
 - DataResourceAbstractName – the abstract name of the resource the message is targeted at.
 - PortTypeQName? – the QName of the portType through which the resulting data should be accessed.
 - ConfigurationDocument? – a document that specifies the properties of the data resource that is to be used to access the data.
 - PreferredTargetService? – the EPR of the preferred service that is to act as the host for the new data resource
 - Position – the position of the first item to be returned (first item is position 0).
 - Count? – the number of data service references that will be returned. This is an OPTIONAL element. If the element is not present then one item will be returned. If the element is present and has the value 0 all items will be returned.

Output

- SQLRowSetFactoryResponse
 - References – a list of references to data service(s) that provide access to the individual rowsets.

Faults

- InvalidResourceNameFault – the supplied data resource abstract name is not known to the service.
- NotAuthorizedFault – the consumer is not authorized to perform this operation at this time.
- InvalidPositionFault – the Position does not identify a valid item of this type.
- InvalidCountFault – the Count extends beyond the list of items of this type.

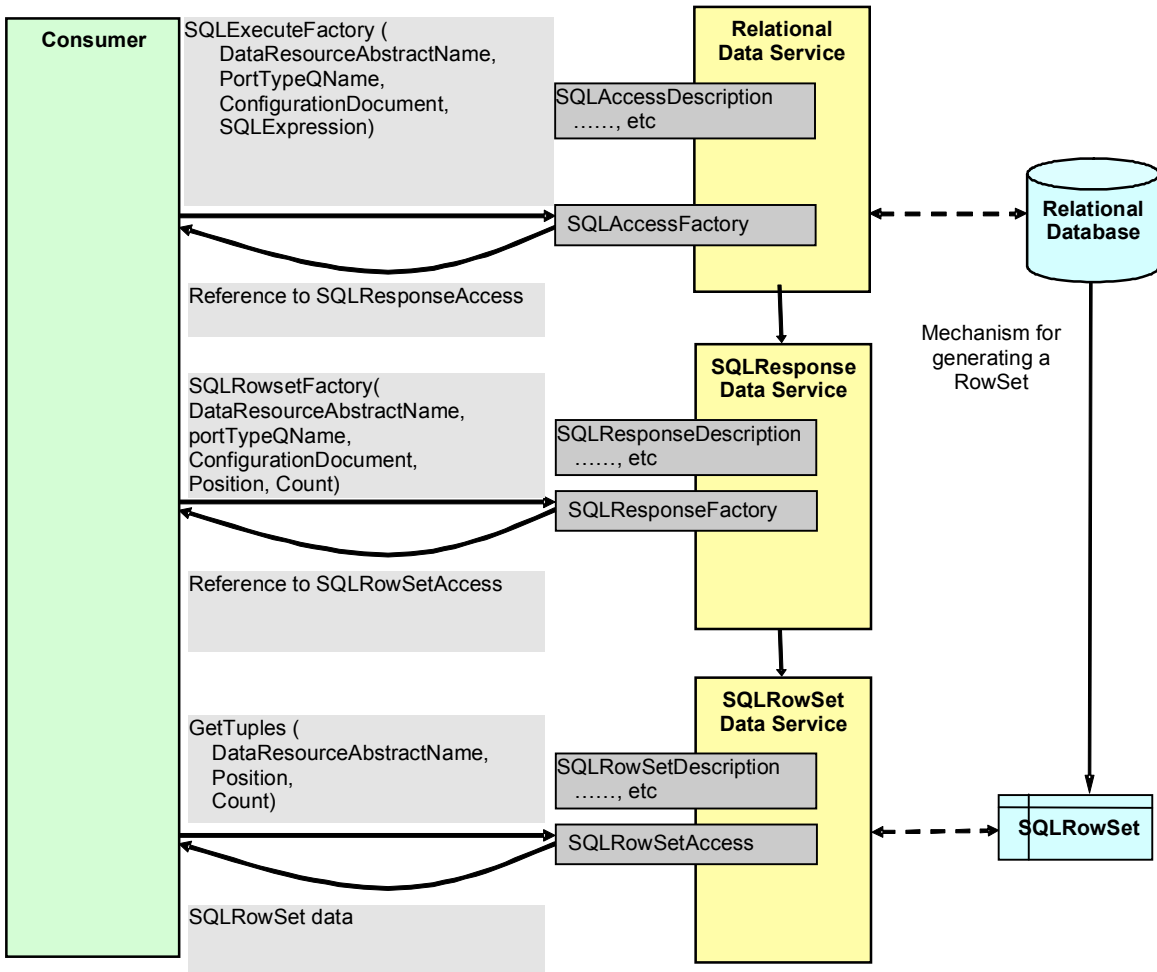


Figure 3 – Overview – SQLResponseFactory

7. SQLRowSet

7.1 Static SQLRowset Description

The elements defined in this section live under a `RowsetPropertyDocument` that extends the `PropertyDocument` defined in the WS-DAI specification.

7.1.1 RowSchema

```
<xsd:complexType name="RowSchemaType">
  <xsd:sequence>
    <xsd:element ref="wrs:metadata"/>
  </xsd:sequence>
</xsd:complexType>

<xsd:element name="RowSchema" type="wsdairs:RowSchemaType" />
```

`/wsdair:RowsetPropertyDocument/wsdair:RowSchema`

The schema of the rowset using the representation of [JSR114].

7.1.2 NoOfRows

```
<xsd:element name="NoOfRows" type="xsd:int" />
```

/wsdair:NoOfRows

The total number of rows in the result set.

7.1.3 SQLRowsetPropertyDocument

```
<xsd:complexType name="SQLRowsetPropertyDocumentType">
  <xsd:complexContent>
    <xsd:extension base="wsdai:PropertyDocumentType">
      <xsd:sequence>
        <xsd:element ref="wsdair:RowSchema" minOccurs="1" maxOccurs="1"/>
        <xsd:element ref="wsdair:NoOfRows" minOccurs="1" maxOccurs="1" />
        <xsd:element ref="wsdair:AccessMode" minOccurs="1" maxOccurs="1"/>
      </xsd:sequence>
    </xsd:extension>
  </xsd:complexContent>
</xsd:complexType>

<xsd:element name="SQLRowsetPropertyDocument"
  type="wsdair:SQLRowsetPropertyDocumentType"/>
```

/wsdair: RowsetPropertyDocument/wsdair: RowsetPropertyDocument

A structure that describes a Rowset data resource, combining the properties defined in the WS-DAI specification with those defined earlier in this section.

7.2 Configurable SQLRowset Description

7.2.1 AccessMode

```
<xsd:element name="AccessMode">
  <xsd:simpleType>
    <xsd:restriction base="xsd:token">
      <xsd:enumeration value="Forward"/>
      <xsd:enumeration value="Random"/>
    </xsd:restriction>
  </xsd:simpleType>
</xsd:element>
```

/wsdair:AccessMode

Describes whether the SQLRowSet can be navigated only in a forward direction or if random access is supported as well.

7.3 Example SQLRowsetPropertyDocument

A non-normative example of a SQLRowsetPropertyDocument.

```
<wsdair:SQLRowsetPropertyDocument xmlns:...>
  <wsdai:DataResourceAbstractName>
    urn:dais:ds3
  </wsdai:DataResourceAbstractName>
  <wsdai:DataResourceManagement>ExternallyManaged</wsdai:DataResourceManagement>
  <wsdai:ParentDataResource>
    <wsa:Address>http://www.ggf.org/services/daisresponseservice</wsa:Address>
    <wsa:ReferenceParameters>
      <DataResourceAbstractName>urn:dais:ds2</DataResourceAbstractName>
    </wsa:ReferenceParameters>
  </wsdai:ParentDataResource>
  <wsdai:DatasetMap>
    <wsdai:MessageQName>wsdair:GetTuples</wsdai:MessageQName>
    <wsdai:DatasetFormatURI>http://java.sun.com/xml/ns/jdbc</wsdai:DatasetFormatURI>
  </wsdai:DatasetMap>
```

```

<wsdai:ConfigurationMap>
  <wsdai:MessageQName>wsdair:GetSQLRowset</wsdai:MessageQName>
  <wsdai:PortTypeQName>wsdair:SQLRowsetPT</wsdai:PortTypeQName>
  <wsdai:ConfigurationDocumentQName>
    wsdair:SQLRowsetPTConfigurationDocumentType
  </wsdai:ConfigurationDocumentQName>
  <DefaultConfigurationDocument>
    <wsdai:ConfigurationDocument>
      <wsdai:DataResourceDescription/>
      <wsdai:Readable>true</wsdai:Readable>
      <wsdai:Writeable>true</wsdai:Writeable>
      <wsdai:TransactionInitiation>NotSupported</wsdai:TransactionInitiation>
      <wsdai:TransactionIsolation>NotSupported</wsdai:TransactionIsolation>
      <wsdai:ChildSensitiveToParent>Insensitive</wsdai:ChildSensitiveToParent>
      <wsdai:ParentSensitiveToChild>Insensitive</wsdai:ParentSensitiveToChild>
    </wsdai:ConfigurationDocument>
  </DefaultConfigurationDocument>
</wsdai:ConfigurationMap>
<wsdai:LanguageMap>
  <wsdai:MessageQName>wsdair:GetSQLRowset</wsdai:MessageQName>
  <wsdai:LanguageURI>SQL-1992</wsdai:LanguageURI>
</wsdai:LanguageMap>
<wsdai:DataResourceDescription/>
<wsdai:Readable>true</wsdai:Readable>
<wsdai:Writeable>true</wsdai:Writeable>
<wsdai:ConcurrentAccess>true</wsdai:ConcurrentAccess>
<wsdai:TransactionInitiation>NotSupported</wsdai:TransactionInitiation>
<wsdai:TransactionIsolation>NotSupported</wsdai:TransactionIsolation>
<wsdai:ChildSensitiveToParent>Insensitive</wsdai:ChildSensitiveToParent>
<wsdai:ParentSensitiveToChild>Insensitive</wsdai:ParentSensitiveToChild>
<wsdair:RowSchema>
  <wrs:metadata>
    <wrs:column-count>wrs:column-count</wrs:column-count>
    <wrs:column-definition>
      <wrs:column-index>wrs:column-index</wrs:column-index>
      <wrs:auto-increment>wrs:auto-increment</wrs:auto-increment>
      <wrs:case-sensitive>wrs:case-sensitive</wrs:case-sensitive>
      <wrs:currency>wrs:currency</wrs:currency>
      <wrs:nullable>wrs:nullable</wrs:nullable>
      <wrs:signed>wrs:signed</wrs:signed>
      <wrs:searchable>wrs:searchable</wrs:searchable>
      <wrs:column-display-size>wrs:column-display-size
    </wrs:column-display-size>
      <wrs:column-label>wrs:column-label</wrs:column-label>
      <wrs:column-name>wrs:column-name</wrs:column-name>
      <wrs:schema-name>wrs:schema-name</wrs:schema-name>
      <wrs:column-precision>wrs:column-precision</wrs:column-precision>
      <wrs:column-scale>wrs:column-scale</wrs:column-scale>
      <wrs:table-name>wrs:table-name</wrs:table-name>
      <wrs:catalog-name>wrs:catalog-name</wrs:catalog-name>
      <wrs:column-type>wrs:column-type</wrs:column-type>
      <wrs:column-type-name>wrs:column-type-name</wrs:column-type-name>
    </wrs:column-definition>
  </wrs:metadata>
</wsdair:RowSchema>
<wsdair:NoOfRows>10</wsdair:NoOfRows>
<wsdair:AccessMode>Forward</wsdair:AccessMode>
</wsdair:SQLRowsetPropertyDocument>

```

7.4 SQLRowSet Messages

This allows access to the underlying data row by row.

7.4.1 SQLRowset::GetSQLRowsetPropertyDocument

Allows a copy of the RowsetPropertyDocument document to be retrieved.

Input

- GetSQLRowsetPropertyDocumentRequest

- `DataResourceAbstractName` – the abstract name of the resource from which the properties are to be obtained.

Output

- `GeSQLRowsetPropertyDocumentResponse`
 - `PropertyDocument` – the properties described in the data description section.

Faults

- `InvalidResourceNameFault` – the supplied data resource abstract name is not known to the service.

7.4.2 `SQLRowsetAccess::GetTuples`

Return a specified number of tuples from a service that represents a result set.

Input

- `GetTuplesRequest`
 - `DataResourceAbstractName` – the abstract name of the resource from which the data is to be obtained.
 - `DatasetFormatURI?` – the URI of the format of the return rowset.
 - `Position` – the position of the first tuple to be returned (first tuple is position 0).
 - `Count?` – the number of tuples.

Output

- `GetTuplesResponse`
 - `Dataset`
 - `DatasetFormatURI?` – the URI of the format of the return data.
 - `DatasetData` – the data to be returned, e.g. `WebRowSet` see [JSR114].

Faults

- `InvalidGetTuplesRequestFault` – XML syntax error or XML schema non-compliance.
- `InvalidDatasetFormatFault` – the supplied dataset format is not known to the service.
- `NotAuthorizedFault` – the consumer is not authorized to perform this operation at this time.
- `InvalidPositionFault` – not a valid `StartPosition`; cannot start with tuple specified (out of bounds value).
- `InvalidCountFault` – not a valid `Count`; cannot return that number of tuples.

8. Mapping to WSDL

For a mapping to the WSDL proposal see the following sections:

- `SQLAccess`
 - XML Schema – Appendix A.1.
 - WSDL – Appendix A.2.
- `SQLResponseAccess`
 - XML Schema – Appendix B.1.
 - WSDL – Appendix B.2.
- `SQLRowSetAccess`
 - XML Schema – Appendix C.1.
 - WSDL – Appendix C.2.

9. Security Considerations

The relational realization of a Grid data service will use standard grid security mechanisms following on from the work of the AUTHZ Working Group² combined with standard ways of relating grid credentials and authorities to resource access rights. The assumption is that these

² See <http://forge.gridforum.org/projects/authz-wg>.

standards will also indicate how to make information related to authentication, authorization security, etc., available.

10. Conclusion

This document has discussed a specialization of the interfaces defined in the *Web Services Data Access and Integration* document [WS-DAI] and the additional capabilities required to properly address relational data resources.

Editor Information

Mario Antonioletti,
EPCC,
University of Edinburgh,
James Clerk Maxwell Building,
Mayfield Road,
Edinburgh EH9 3JZ,
United Kingdom.

Brian M Collins
11 St Stephen Road,
Winchester,
SO22 6DE,
United Kingdom.

Amy Krause,
EPCC,
University of Edinburgh,
James Clerk Maxwell Building,
Mayfield Road,
Edinburgh EH9 3JZ,
United Kingdom.

Simon Laws,
IBM United Kingdom Limited,
Hursley Park,
Winchester,
Hampshire, SO21 2JN,
United Kingdom.

James Magowan,
IBM United Kingdom Limited,
Hursley Park,
Winchester,
Hampshire, SO21 2JN,
United Kingdom.

Susan Malaika,
IBM Corporation,
Silicon Valley Laboratory,
555 Bailey Avenue,
San Jose, CA 95141,
USA.

Norman W. Paton,

School of Computer Science,
University of Manchester,
Oxford Road,
Manchester M13 9PL,
United Kingdom.

Contributor Information

Vijay Dialani, IBM
Dave Pearson, Oracle
Greg Riccardi, Florida State University.
Shannon Hastings, Ohio State University.
Stephen Langella, Ohio State University.
Dave Vyvyan, IBM.

Acknowledgements

The DAIS Working Group of the Global Grid Forum has been active over several years, and many people have contributed to discussions within the group, including but not limited to: Bill Allcock, Dieter Gawlick, Allen Luniewski, Sastry Malladi, Inderpal Narang, Steve Tuecke, Jay Unger, Paul Watson, Martin Westhead, Patrick Dantressangle.

Intellectual Property Statement

The GGF takes no position regarding the validity or scope of any intellectual property or other rights that might be claimed to pertain to the implementation or use of the technology described in this document or the extent to which any license under such rights might or might not be available; neither does it represent that it has made any effort to identify any such rights. Copies of claims of rights made available for publication and any assurances of licenses to be made available, or the result of an attempt made to obtain a general license or permission for the use of such proprietary rights by implementers or users of this specification can be obtained from the GGF Secretariat.

The GGF invites any interested party to bring to its attention any copyrights, patents or patent applications, or other proprietary rights, which may cover technology that may be required to practice this recommendation. Please address the information to the GGF Executive Director.

Full Copyright Notice

Copyright (C) Global Grid Forum (2005). All Rights Reserved.

This document and translations of it may be copied and furnished to others, and derivative works that comment on or otherwise explain it or assist in its implementation may be prepared, copied, published and distributed, in whole or in part, without restriction of any kind, provided that the above copyright notice and this paragraph are included on all such copies and derivative works. However, this document itself may not be modified in any way, such as by removing the copyright notice or references to the GGF or other organizations, except as needed for the purpose of developing Grid Recommendations in which case the procedures for copyrights defined in the GGF Document process must be followed, or as required to translate it into languages other than English.

The limited permissions granted above are perpetual and will not be revoked by the GGF or its successors or assigns.

This document and the information contained herein is provided on an "AS IS" basis and THE GLOBAL GRID FORUM DISCLAIMS ALL WARRANTIES, EXPRESS OR IMPLIED, INCLUDING BUT NOT LIMITED TO ANY WARRANTY THAT THE USE OF THE INFORMATION HEREIN WILL NOT INFRINGE ANY RIGHTS OR ANY IMPLIED WARRANTIES OF MERCHANTABILITY OR FITNESS FOR A PARTICULAR PURPOSE."

References

[CIM]

DMTF Common Information Model Standards
<http://www.dmtf.org/standards/cim/>.

[JSR114]

J. Bruce, JSR-000114 JDBC RowSet Implementations, Final Release, 07 April 2004.
<http://jcp.org/aboutJava/communityprocess/final/jsr114/index.html>.

[OGSA]

I. Foster (Ed), H. Kishimoto (Ed), A. Savva (Ed), D. Berry, A. Djaoui, A. Grimshaw, B. Horn, F. Maciel, R. Subramaniam, J. Treadwell, J. Von Reich. *The Open Grid Services Architecture, Version 1.0*. Global Grid Forum. GFD-I.030. 29 January 2005.
<http://forge.gridforum.org/projects/ggf-editor/document/GFD.30/en/1>.

[RFC2119]

S. Bradner, *Key words for use in RFCs to Indicate Requirement Levels*, Internet Engineering Task Force, RFC 2119, <http://www.ietf.org/rfc/rfc2119.txt>, March 1997.

[SQL]

Information technology -- Database languages -- SQL -- Part 14: XML-Related Specifications (SQL/XML), ISO/IEC 9075-14:2003,
<http://www.iso.ch/iso/en/stdsdevelopment/tc/tclist/TechnicalCommitteeStandardsListPage.TechnicalCommitteeStandardsList?COMMID=160&printable=true>.

[WS-DAI]

M. Antonioletti, M. Atkinson, S. Laws, S. Malaika, N. W. Paton D. Pearson and G. Riccardi *Web Services Data Access and Integration (WS-DAI) Specification Version 1.0*. Draft, Global Grid Forum. 2005.

[WS-Security]

OASIS Web Services Security 1.0 (WS-Security 2004) standard as of April 6th 2004,
http://www.oasis-open.org/committees/tc_home.php?wg_abbrev=wss.

[OGSA Glossary]

J. Treadwell, *Open Grid Services Architecture Glossary of Terms*, GFD-I.044, January 25th 2005. <http://www.ggf.org/documents/GFD.44.pdf>.

Appendix A.1 – SQLAccess XML Schema

```

<?xml version="1.0" encoding="UTF-8"?>
<xsd:schema xmlns:wrs="http://java.sun.com/xml/ns/jdbc"
  xmlns:wsdai="http://www.ggf.org/namespaces/2005/12/WS-DAI"
  xmlns:wsdair="http://www.ggf.org/namespaces/2005/12/WS-DAIR"
  xmlns:xsd="http://www.w3.org/2001/XMLSchema"
  targetNamespace="http://www.ggf.org/namespaces/2005/12/WS-DAIR">

  <xsd:import namespace="http://java.sun.com/xml/ns/jdbc" schemaLocation="webrowset-jdbc150.xsd"/>

  <xsd:import namespace="http://www.ggf.org/namespaces/2005/12/WS-DAI"
  schemaLocation="wsdai_core_types.xsd"/>

<!-- static properties -->
  <xsd:element name="CIMDescription">
    <xsd:complexType>
      <xsd:sequence>
        <xsd:any maxOccurs="unbounded" minOccurs="0" namespace="http://www.dmtf.org/cim/?????"
  processContents="strict"/>
      </xsd:sequence>
    </xsd:complexType>
  </xsd:element>

<!-- sql access -->

  <!-- general response types -->
  <xsd:element name="SQLUpdateCount" type="xsd:int" />
  <xsd:element name="SQLReturnValue" type="xsd:string" />

  <xsd:complexType name="SQLOutputParameterType">
    <xsd:sequence>
      <xsd:element name="index" type="xsd:int" />
      <xsd:element name="value" type="xsd:string" />
    </xsd:sequence>
  </xsd:complexType>

  <xsd:element name="SQLOutputParameter" type="wsdair:SQLOutputParameterType"/>

  <xsd:complexType name="SQLCommunicationsAreaType">
    <xsd:sequence>
      <xsd:element name="SQLState" type="xsd:string"/>
      <xsd:element name="VendorCode" type="xsd:string"/>
      <xsd:element name="MessageText" type="xsd:string"/>
    </xsd:sequence>
  </xsd:complexType>

  <xsd:element name="SQLCommunicationsArea" type="wsdair:SQLCommunicationsAreaType"/>

  <!-- the data returned after running a SQL command -->
  <!-- any rowset data is held in the generic DatasetType base type -->
  <!-- in the format indicated by the DatasetFormatURI input parameter -->
  <xsd:complexType name="SQLDatasetType">
    <xsd:complexContent>
      <xsd:extension base="wsdai:DatasetType">
        <xsd:sequence>
          <xsd:element ref="wsdair:SQLUpdateCount" minOccurs="0" maxOccurs="unbounded" />
          <xsd:element ref="wsdair:SQLOutputParameter" minOccurs="0" maxOccurs="unbounded"/>
          <xsd:element ref="wsdair:SQLReturnValue" minOccurs="0" maxOccurs="1"/>
          <xsd:element ref="wsdair:SQLCommunicationsArea" minOccurs="1" maxOccurs="unbounded"/>
        </xsd:sequence>
      </xsd:extension>
    </xsd:complexContent>
  </xsd:complexType>

  <xsd:element name="SQLDataset" substitutionGroup="wsdai:Dataset" type="wsdair:SQLDatasetType"/>

<!-- property and configuration documents -->

```

```

<xsd:complexType name="SQLPropertyDocumentType">
  <xsd:complexContent>
    <xsd:extension base="wsdai:PropertyDocumentType">
      <xsd:sequence>
        <xsd:element ref="wsdair:CIMDescription"/>
      </xsd:sequence>
    </xsd:extension>
  </xsd:complexContent>
</xsd:complexType>
<xsd:element name="SQLPropertyDocument" type="wsdair:SQLPropertyDocumentType"/>

<!-- the core configuration document is used as no extra configuration -->
<!-- properties are defined for SQL access -->

</xsd:schema>

```

Appendix A.2 – SQLAccess WSDL

```

<?xml version="1.0" encoding="UTF-8"?>
<wsdl:definitions xmlns:wsdai="http://www.ggf.org/namespaces/2005/12/WS-DAI"
  xmlns:wsdair="http://www.ggf.org/namespaces/2005/12/WS-DAIR"
  xmlns:wsdl="http://schemas.xmlsoap.org/wsdl/"
  xmlns:xsd="http://www.w3.org/2001/XMLSchema"
  name="wsdair"
  targetNamespace="http://www.ggf.org/namespaces/2005/12/WS-DAIR">

<!-- WSDL IMPORTS ##### -->
  <wsdl:import location="wsdai_core_porttypes.wsdl" namespace="http://www.ggf.org/namespaces/2005/12/WS-DAI"/>

<!-- WSDL TYPES ##### -->
  <wsdl:types>
    <xsd:schema elementFormDefault="qualified" targetNamespace="http://www.ggf.org/namespaces/2005/12/WS-DAIR">
      <xsd:import namespace="http://www.ggf.org/namespaces/2005/12/WS-DAI"
        schemaLocation="wsdai_core_types.xsd"/>
      <xsd:include schemaLocation="wsdair_sqlaccess_types.xsd"/>

      <!-- ##### -->
      <!-- ### Common Message Types ### -->
      <!-- ##### -->

      <!-- general request types -->
      <xsd:complexType name="SQLParameterType">
        <xsd:sequence>
          <xsd:element name="Value" type="xsd:string"/>
          <xsd:element name="Type"/>
        </xsd:sequence>
      </xsd:complexType>
      <xsd:simpleType>
        <xsd:restriction base="xsd:token">
          <xsd:enumeration value="BIT"/>
          <xsd:enumeration value="TINYINT"/>
          <xsd:enumeration value="SMALLINT"/>
          <xsd:enumeration value="INTEGER"/>
          <xsd:enumeration value="BIGINT"/>
          <xsd:enumeration value="FLOAT"/>
          <xsd:enumeration value="REAL"/>
          <xsd:enumeration value="DOUBLE"/>
          <xsd:enumeration value="NUMERIC"/>
          <xsd:enumeration value="DECIMAL"/>
          <xsd:enumeration value="CHAR"/>
          <xsd:enumeration value="VARCHAR"/>
          <xsd:enumeration value="LONGVARCHAR"/>
          <xsd:enumeration value="DATE"/>
          <xsd:enumeration value="TIME"/>
          <xsd:enumeration value="TIMESTAMP"/>
          <xsd:enumeration value="BINARY"/>
          <xsd:enumeration value="VARBINARY"/>
          <xsd:enumeration value="LONGVARBINARY"/>
          <xsd:enumeration value="NULL"/>
          <xsd:enumeration value="DISTINCT"/>
        </xsd:restriction>
      </xsd:simpleType>
    </xsd:schema>
  </wsdl:types>

```

```

        <xsd:enumeration value="STRUCT"/>
        <xsd:enumeration value="ARRAY"/>
        <xsd:enumeration value="BLOB"/>
        <xsd:enumeration value="CLOB"/>
        <xsd:enumeration value="REF"/>
        <xsd:enumeration value="DATA LINK"/>
        <xsd:enumeration value="BOOLEAN"/>
    </xsd:restriction>
</xsd:simpleType>
</xsd:element>
    <xsd:element name="Mode">
        <xsd:simpleType>
            <xsd:restriction base="xsd:token">
                <xsd:enumeration value="IN"/>
                <xsd:enumeration value="OUT"/>
                <xsd:enumeration value="INOUT"/>
            </xsd:restriction>
        </xsd:simpleType>
    </xsd:element>
</xsd:sequence>
</xsd:complexType>

    <xsd:complexType name="SQLExpressionType">
<xsd:complexContent>
    <xsd:extension base="wsdai:ExpressionType">
        <xsd:sequence>
            <xsd:element name="Expression" type="xsd:string"/>
            <xsd:element maxOccurs="unbounded" minOccurs="0" name="SQLParameter"
type="wsdair:SQLParameterType"/>
        </xsd:sequence>
    </xsd:extension>
</xsd:complexContent>
</xsd:complexType>
    <xsd:element abstract="true" name="SQLExpression" type="wsdair:SQLExpressionType"/>

<xsd:element name="InvalidSQLExpressionParameterFault">
    <xsd:complexType/>
</xsd:element>

<!-- ##### -->
<!-- ### sqlExecute Message Types ### -->
<!-- ##### -->

    <xsd:element name="SQLExecuteRequest">
<xsd:complexType>
    <xsd:complexContent>
        <xsd:extension base="wsdai:RequestType">
            <xsd:sequence>
                <xsd:element ref="wsdair:SQLExpression"/>
            </xsd:sequence>
        </xsd:extension>
    </xsd:complexContent>
</xsd:complexType>
    </xsd:element>

    <xsd:element name="SQLExecuteResponse">
        <xsd:complexType>
            <xsd:sequence>
                <xsd:element ref="wsdair:SQLDataset"/>
            </xsd:sequence>
        </xsd:complexType>
    </xsd:element>

<!-- ##### -->
<!-- ### sqlExecuteFactory Message Types ### -->
<!-- ##### -->
    <xsd:element name="SQLExecuteFactoryRequest">
<xsd:complexType>
    <xsd:complexContent>
        <xsd:extension base="wsdai:FactoryRequestType">
            <xsd:sequence>

```

```

                <xsd:element ref="wsdair:SQLExpression"/>
            </xsd:sequence>
        </xsd:extension>
    </xsd:complexContent>
    </xsd:complexType>
</xsd:element>

    <!-- assumes that these messages result in a service/resource that contains all of -->
    <!-- the possible responses from a SQL execute (rowset, count, value, parameter etc) -->
    <xsd:element name="SQLExecuteFactoryResponse" type="wsdai:DataResourceAddressListType"/>
</xsd:schema>
</wsdl:types>

<!-- WSDL MESSAGES ##### -->

    <!-- ##### -->
    <!-- ### GetSQLPropertyDocument Messages ### -->
    <!-- ##### -->
    <wsdl:message name="GetSQLPropertyDocumentRequest">
        <wsdl:part element="wsdai:GetDataResourcePropertyDocumentRequest" name="GetSQLPropertyDocumentRequest"/>
    </wsdl:message>

    <wsdl:message name="GetSQLPropertyDocumentResponse">
        <wsdl:part element="wsdair:SQLPropertyDocument" name="GetSQLPropertyDocumentResponse"/>
    </wsdl:message>

    <!-- ##### -->
    <!-- ### sqlExecute Messages ### -->
    <!-- ##### -->
    <wsdl:message name="SQLExecuteRequest">
        <wsdl:part element="wsdair:SQLExecuteRequest" name="SQLExecuteRequest"/>
    </wsdl:message>

    <wsdl:message name="SQLExecuteResponse">
        <wsdl:part element="wsdair:SQLExecuteResponse" name="SQLExecuteResponse"/>
    </wsdl:message>

    <wsdl:message name="InvalidSQLExpressionParameterFault">
        <wsdl:part name="InvalidSQLExpressionParameterFault"
            element="wsdair:InvalidSQLExpressionParameterFault" />
    </wsdl:message>

    <!-- ##### -->
    <!-- ### sqlExecuteFactory Messages ### -->
    <!-- ##### -->
    <wsdl:message name="SQLExecuteFactoryRequest">
        <wsdl:part element="wsdair:SQLExecuteFactoryRequest" name="SQLExecuteFactoryRequest"/>
    </wsdl:message>

    <wsdl:message name="SQLExecuteFactoryResponse">
        <wsdl:part element="wsdair:SQLExecuteFactoryResponse" name="SQLExecuteFactoryResponse"/>
    </wsdl:message>

<!-- WSDL PORT TYPES ##### -->
    <wsdl:portType name="SQLAccessPT">

        <wsdl:operation name="GetSQLPropertyDocument">
            <wsdl:input message="wsdair:GetSQLPropertyDocumentRequest" name="GetSQLPropertyDocumentRequest"/>
            <wsdl:output message="wsdair:GetSQLPropertyDocumentResponse" name="GetSQLPropertyDocumentResponse"/>
            <wsdl:fault message="wsdai:InvalidResourceNameFault" name="InvalidResourceNameFault"/>
        </wsdl:operation>

        <wsdl:operation name="SQLExecute">
            <wsdl:input message="wsdair:SQLExecuteRequest"/>
            <wsdl:output message="wsdair:SQLExecuteResponse"/>
            <wsdl:fault message="wsdai:InvalidResourceNameFault" name="InvalidResourceNameFault"/>
            <wsdl:fault message="wsdai:InvalidExpressionFault" name="InvalidExpressionFault"/>
            <wsdl:fault message="wsdai:InvalidLanguageFault" name="InvalidLanguageFault"/>
            <wsdl:fault message="wsdai:InvalidDatasetFormatFault" name="InvalidDatasetFormatFault"/>
            <wsdl:fault message="wsdai:NotAuthorizedFault" name="NotAuthorizedFault"/>
            <wsdl:fault message="wsdai:ServiceBusyFault" name="ServiceBusyFault" />
        </wsdl:operation>
    </wsdl:portType>

```

```

        <wsdl:fault message="wsdair:InvalidSQLExpressionParameterFault"
name="InvalidSQLExpressionParameterFault"/>
        </wsdl:operation>

</wsdl:portType>

<wsdl:portType name="SQLAccessFactoryPT">

        <wsdl:operation name="SQLExecuteFactory">
                <wsdl:input message="wsdair:SQLExecuteFactoryRequest"/>
                <wsdl:output message="wsdair:SQLExecuteFactoryResponse"/>
                <wsdl:fault message="wsdai:InvalidResourceNameFault" name="InvalidResourceNameFault"/>
                <wsdl:fault message="wsdai:InvalidExpressionFault" name="InvalidExpressionFault"/>
                <wsdl:fault message="wsdai:InvalidLanguageFault" name="InvalidLanguageFault" />
                <wsdl:fault message="wsdai:InvalidPortTypeQNameFault" name="InvalidPortTypeQNameFault"/>
                <wsdl:fault message="wsdai:InvalidConfigurationDocumentFault"
name="InvalidConfigurationDocumentFault"/>
                <wsdl:fault message="wsdai:NotAuthorizedFault" name="NotAuthorizedFault"/>
                <wsdl:fault message="wsdai:ServiceBusyFault" name="ServiceBusyFault" />
                <wsdl:fault message="wsdair:InvalidSQLExpressionParameterFault"
name="InvalidSQLExpressionParameterFault"/>
        </wsdl:operation>

</wsdl:portType>
</wsdl:definitions>

```

Appendix B.1 – SQLResponse XML Schema

```

<?xml version="1.0" encoding="UTF-8"?>
<xsd:schema xmlns:wrs="http://java.sun.com/xml/ns/jdbc"
xmlns:wsdai="http://www.ggf.org/namespaces/2005/12/WS-DAI"
xmlns:wsdair="http://www.ggf.org/namespaces/2005/12/WS-DAIR"
xmlns:xsd="http://www.w3.org/2001/XMLSchema"
targetNamespace="http://www.ggf.org/namespaces/2005/12/WS-DAIR">

        <xsd:import namespace="http://www.ggf.org/namespaces/2005/12/WS-DAI" schemaLocation="wsdai_core_types.xsd"/>

<!-- sql response description -->
<xsd:complexType name="SQLResponseItemType">
        <xsd:sequence>
                <xsd:element name="SequenceNumber" type="xsd:unsignedInt"/>
                <xsd:element name="Name">
                        <xsd:simpleType>
                                <xsd:restriction base="xsd:token">
                                        <xsd:enumeration value="Rowset"/>
                                        <xsd:enumeration value="UpdateCount"/>
                                        <xsd:enumeration value="ReturnValue"/>
                                        <xsd:enumeration value="OutputParameter"/>
                                        <xsd:enumeration value="CommunicationsArea"/>
                                </xsd:restriction>
                        </xsd:simpleType>
                </xsd:element>
        </xsd:sequence>
</xsd:complexType>
<xsd:element name="SQLResponseItem" type="wsdair:SQLResponseItemType"/>

<xsd:element name="NumberOfSQLRowsets" type="xsd:unsignedInt"/>
<xsd:element name="NumberOfSQLUpdateCounts" type="xsd:unsignedInt"/>
<xsd:element name="NumberOfSQLReturnValues" type="xsd:unsignedInt"/>
<xsd:element name="NumberOfSQLOutputParameters" type="xsd:unsignedInt"/>
<xsd:element name="NumberOfSQLCommunicationsAreas" type="xsd:unsignedInt"/>

<!-- properties that describe a SQL response data service -->
<xsd:complexType name="SQLResponsePropertyDocumentType">
        <xsd:complexContent>
                <xsd:extension base="wsdai:PropertyDocumentType">
                        <xsd:sequence>
                                <xsd:element ref="wsdair:SQLResponseItem" minOccurs="0" maxOccurs="unbounded"/>
                                <xsd:element ref="wsdair:NumberOfSQLRowsets"/>
                        </xsd:sequence>
                </xsd:extension>
        </xsd:complexContent>
</xsd:complexType>

```



```

        <xsd:element ref="wsdair:NumberOfSQLUpdateCounts"/>
        <xsd:element ref="wsdair:NumberOfSQLReturnValues"/>
        <xsd:element ref="wsdair:NumberOfSQLOutputParameters"/>
        <xsd:element ref="wsdair:NumberOfSQLCommunicationsAreas"/>
    </xsd:sequence>
</xsd:extension>
</xsd:complexContent>
</xsd:complexType>
<xsd:element name="SQLResponsePropertyDocument" type="wsdair:SQLResponsePropertyDocumentType"/>

<!-- the core configuration document is used as no extra configuration -->
<!-- properties are defined for SQL response -->

</xsd:schema>

```

Appendix B.2 – SQLResponse WSDL

```

<?xml version="1.0" encoding="UTF-8"?>
<wsdl:definitions xmlns:wsdai="http://www.ggf.org/namespaces/2005/12/WS-DAI"
    xmlns:wsdair="http://www.ggf.org/namespaces/2005/12/WS-DAIR"
    xmlns:wsdl="http://schemas.xmlsoap.org/wsdl/"
    xmlns:xsd="http://www.w3.org/2001/XMLSchema"
    name="wsdair"
    targetNamespace="http://www.ggf.org/namespaces/2005/12/WS-DAIR">

<!-- WSDL IMPORTS ##### -->
    <wsdl:import location="wsdai_core_porttypes.wsdl" namespace="http://www.ggf.org/namespaces/2005/12/WS-DAI"/>

<!-- WSDL TYPES ##### -->
    <wsdl:types>

        <xsd:schema elementFormDefault="qualified" targetNamespace="http://www.ggf.org/namespaces/2005/12/WS-DAIR">
            <xsd:import namespace="http://www.ggf.org/namespaces/2005/12/WS-DAI"
                schemaLocation="wsdai_core_types.xsd"/>
            <xsd:include schemaLocation="./wsdair_sqlaccess_types.xsd"/>
            <xsd:include schemaLocation="./wsdair_sqlresponse_types.xsd"/>

            <xsd:element name="InvalidPositionFault">
                <xsd:complexType/>
            </xsd:element>

            <xsd:element name="InvalidCountFault">
                <xsd:complexType/>
            </xsd:element>

<!-- ##### -->
<!-- ### GetSQLResponseItem Message Types ### -->
<!-- ##### -->
            <xsd:element name="GetSQLResponseItemRequest">
                <xsd:complexType>
                    <xsd:complexContent>
                        <xsd:extension base="wsdai:RequestType">
                            <xsd:sequence>
                                <xsd:element maxOccurs="1" minOccurs="1" name="Position" type="xsd:unsignedInt"/>
                                <xsd:element maxOccurs="1" minOccurs="0" name="Count" type="xsd:unsignedInt"/>
                            </xsd:sequence>
                        </xsd:extension>
                    </xsd:complexContent>
                </xsd:complexType>
            </xsd:element>

            <xsd:element name="GetSQLResponseItemResponse">
                <xsd:complexType>
                    <xsd:sequence>
                        <xsd:element maxOccurs="1" minOccurs="1" ref="wsdair:SQLDataset"/>
                    </xsd:sequence>
                </xsd:complexType>
            </xsd:element>

```

```

<!-- ##### -->
<!-- ### GetSQLRowset Message Types ### -->
<!-- ##### -->
  <xsd:element name="GetSQLRowsetRequest">
    <xsd:complexType>
      <xsd:complexContent>
        <xsd:extension base="wsdai:RequestType">
          <xsd:sequence>
            <xsd:element maxOccurs="1" minOccurs="1" name="Position"
type="xsd:unsignedInt"/>
            <xsd:element maxOccurs="1" minOccurs="0" name="Count" type="xsd:unsignedInt"/>
          </xsd:sequence>
        </xsd:extension>
      </xsd:complexContent>
    </xsd:complexType>
  </xsd:element>

  <xsd:element name="GetSQLRowsetResponse">
    <xsd:complexType>
      <xsd:sequence>
        <xsd:element maxOccurs="1" minOccurs="1" ref="wsdai:Dataset"/>
      </xsd:sequence>
    </xsd:complexType>
  </xsd:element>

<!-- ##### -->
<!-- ### GetSQLRowsetFactory Message Types ### -->
<!-- ##### -->
  <xsd:element name="GetSQLRowsetFactoryRequest">
    <xsd:complexType>
      <xsd:complexContent>
        <xsd:extension base="wsdai:FactoryRequestType">
          <xsd:sequence>
            <xsd:element maxOccurs="1" minOccurs="1" name="Position"
type="xsd:unsignedInt"/>
            <xsd:element maxOccurs="1" minOccurs="0" name="Count" type="xsd:unsignedInt"/>
          </xsd:sequence>
        </xsd:extension>
      </xsd:complexContent>
    </xsd:complexType>
  </xsd:element>

  <xsd:element name="GetSQLRowsetFactoryResponse" type="wsdai:DataResourceAddressListType"/>

<!-- ##### -->
<!-- ### GetSQLUpdateCount Message Types ### -->
<!-- ##### -->
  <xsd:element name="GetSQLUpdateCountRequest">
    <xsd:complexType>
      <xsd:complexContent>
        <xsd:extension base="wsdai:BaseRequestType">
          <xsd:sequence>
            <xsd:element maxOccurs="1" minOccurs="1" name="Position"
type="xsd:unsignedInt"/>
            <xsd:element maxOccurs="1" minOccurs="0" name="Count" type="xsd:unsignedInt"/>
          </xsd:sequence>
        </xsd:extension>
      </xsd:complexContent>
    </xsd:complexType>
  </xsd:element>

  <xsd:element name="GetSQLUpdateCountResponse">
    <xsd:complexType>
      <xsd:sequence>
        <xsd:element maxOccurs="unbounded" minOccurs="1" name="UpdateCount"
type="xsd:int"/>
      </xsd:sequence>
    </xsd:complexType>
  </xsd:element>

```

```

<!-- ##### -->
<!-- ### GetSQLReturnValue Message Types ### -->
<!-- ##### -->
  <xsd:element name="GetSQLReturnValueRequest">
    <xsd:complexType>
      <xsd:complexContent>
        <xsd:extension base="wsdai:BaseRequestType"/>
      </xsd:complexContent>
    </xsd:complexType>
  </xsd:element>

  <xsd:element name="GetSQLReturnValueResponse">
    <xsd:complexType>
      <xsd:sequence>
        <xsd:element maxOccurs="1" minOccurs="0" name="ReturnValue"
type="xsd:string"/>
      </xsd:sequence>
    </xsd:complexType>
  </xsd:element>

<!-- ##### -->
<!-- ### GetSQLOutputParameter Message Types ### -->
<!-- ##### -->
  <xsd:element name="GetSQLOutputParameterRequest">
    <xsd:complexType>
      <xsd:complexContent>
        <xsd:extension base="wsdai:BaseRequestType">
          <xsd:sequence>
            <xsd:element maxOccurs="1" minOccurs="1" name="Position"
type="xsd:unsignedInt"/>
            <xsd:element maxOccurs="1" minOccurs="0" name="Count" type="xsd:unsignedInt"/>
          </xsd:sequence>
        </xsd:extension>
      </xsd:complexContent>
    </xsd:complexType>
  </xsd:element>

  <xsd:element name="GetSQLOutputParameterResponse">
    <xsd:complexType>
      <xsd:sequence>
        <xsd:element maxOccurs="unbounded" minOccurs="1"
ref="wsdair:SQLOutputParameter"/>
      </xsd:sequence>
    </xsd:complexType>
  </xsd:element>

<!-- ##### -->
<!-- ### GetSQLCommunicationArea Message Types ### -->
<!-- ##### -->
  <xsd:element name="GetSQLCommunicationAreaRequest">
    <xsd:complexType>
      <xsd:complexContent>
        <xsd:extension base="wsdai:BaseRequestType">
          <xsd:sequence>
            <xsd:element maxOccurs="1" minOccurs="1" name="Position"
type="xsd:unsignedInt"/>
            <xsd:element maxOccurs="1" minOccurs="0" name="Count" type="xsd:unsignedInt"/>
          </xsd:sequence>
        </xsd:extension>
      </xsd:complexContent>
    </xsd:complexType>
  </xsd:element>

  <xsd:element name="GetSQLCommunicationAreaResponse">
    <xsd:complexType>
      <xsd:sequence>
        <xsd:element maxOccurs="unbounded" minOccurs="1"
ref="wsdair:SQLCommunicationsArea"/>
      </xsd:sequence>
    </xsd:complexType>
  </xsd:element>

```

```

        </xsd:element>

    </xsd:schema>
</wsdl:types>

<!-- WSDL MESSAGES ##### -->

    <wsdl:message name="InvalidPositionFault">
        <wsdl:part element="wsdair:InvalidPositionFault" name="InvalidPositionFault"/>
    </wsdl:message>

    <wsdl:message name="InvalidCountFault">
        <wsdl:part element="wsdair:InvalidCountFault" name="InvalidCountFault"/>
    </wsdl:message>

    <!-- ##### -->
    <!-- ### GetSQLResponsePropertyDocument Messages ### -->
    <!-- ##### -->
    <wsdl:message name="GetSQLResponsePropertyDocumentRequest">
        <wsdl:part element="wsdair:GetDataResourcePropertyDocumentRequest"
name="GetSQLResponsePropertyDocumentRequest"/>
    </wsdl:message>

    <wsdl:message name="GetSQLResponsePropertyDocumentResponse">
        <wsdl:part element="wsdair:SQLResponsePropertyDocument" name="GetSQLResponsePropertyDocumentResponse"/>
    </wsdl:message>

    <!-- ##### -->
    <!-- ### GetSQLResponseItem Messages ### -->
    <!-- ##### -->
    <wsdl:message name="GetSQLResponseItemRequest">
        <wsdl:part element="wsdair:GetSQLResponseItemRequest" name="GetSQLResponseItemRequest"/>
    </wsdl:message>

    <wsdl:message name="GetSQLResponseItemResponse">
        <wsdl:part element="wsdair:GetSQLResponseItemResponse" name="GetSQLResponseItemResponse"/>
    </wsdl:message>

    <!-- ##### -->
    <!-- ### GetSQLRowset Messages ### -->
    <!-- ##### -->
    <wsdl:message name="GetSQLRowsetRequest">
        <wsdl:part element="wsdair:GetSQLRowsetRequest" name="GetSQLRowsetRequest"/>
    </wsdl:message>

    <wsdl:message name="GetSQLRowsetResponse">
        <wsdl:part element="wsdair:GetSQLRowsetResponse" name="GetSQLRowsetResponse"/>
    </wsdl:message>

    <!-- ##### -->
    <!-- ### GetSQLRowsetFactory Messages ### -->
    <!-- ##### -->
    <wsdl:message name="GetSQLRowsetFactoryRequest">
        <wsdl:part element="wsdair:GetSQLRowsetFactoryRequest" name="GetSQLRowsetFactoryRequest"/>
    </wsdl:message>

    <wsdl:message name="GetSQLRowsetFactoryResponse">
        <wsdl:part element="wsdair:GetSQLRowsetFactoryResponse" name="GetSQLRowsetFactoryResponse"/>
    </wsdl:message>

    <!-- ##### -->
    <!-- ### GetSQLUpdateCount Messages ### -->
    <!-- ##### -->
    <wsdl:message name="GetSQLUpdateCountRequest">
        <wsdl:part element="wsdair:GetSQLUpdateCountRequest" name="GetSQLUpdateCountRequest"/>
    </wsdl:message>

    <wsdl:message name="GetSQLUpdateCountResponse">
        <wsdl:part element="wsdair:GetSQLUpdateCountResponse" name="GetSQLUpdateCountResponse"/>
    </wsdl:message>

```

```

<!-- ##### -->
<!-- ### GetSQLReturnValue Messages ### -->
<!-- ##### -->
<wsdl:message name="GetSQLReturnValueRequest">
  <wsdl:part element="wsdair:GetSQLReturnValueRequest" name="GetSQLReturnValueRequest"/>
</wsdl:message>

<wsdl:message name="GetSQLReturnValueResponse">
  <wsdl:part element="wsdair:GetSQLReturnValueResponse" name="GetSQLReturnValueResponse"/>
</wsdl:message>

<!-- ##### -->
<!-- ### GetSQLOutputParameter Messages ### -->
<!-- ##### -->
<wsdl:message name="GetSQLOutputParameterRequest">
  <wsdl:part element="wsdair:GetSQLOutputParameterRequest" name="GetSQLOutputParameterRequest"/>
</wsdl:message>

<wsdl:message name="GetSQLOutputParameterResponse">
  <wsdl:part element="wsdair:GetSQLOutputParameterResponse" name="GetSQLOutputParameterResponse"/>
</wsdl:message>

<!-- ##### -->
<!-- ### GetSQLCommunicationArea Messages ### -->
<!-- ##### -->
<wsdl:message name="GetSQLCommunicationAreaRequest">
  <wsdl:part element="wsdair:GetSQLCommunicationAreaRequest"
name="GetSQLCommunicationAreaRequest"/>
</wsdl:message>

  <wsdl:message name="GetSQLCommunicationAreaResponse">
    <wsdl:part element="wsdair:GetSQLCommunicationAreaResponse"
name="GetSQLCommunicationAreaResponse"/>
  </wsdl:message>

<!-- WSDL PORT TYPES ##### -->
  <wsdl:portType name="SQLResponsePT">

    <wsdl:operation name="GetSQLResponsePropertyDocument">
      <wsdl:input message="wsdair:GetSQLResponsePropertyDocumentRequest"
name="GetSQLResponsePropertyDocumentRequest"/>
      <wsdl:output message="wsdair:GetSQLResponsePropertyDocumentResponse"
name="GetSQLResponsePropertyDocumentResponse"/>
      <wsdl:fault message="wsdai:InvalidResourceNameFault" name="InvalidResourceNameFault"/>
    </wsdl:operation>

    <wsdl:operation name="GetSQLResponseItem">
      <wsdl:input message="wsdair:GetSQLResponseItemRequest"/>
      <wsdl:output message="wsdair:GetSQLResponseItemResponse"/>
      <wsdl:fault message="wsdai:InvalidResourceNameFault" name="InvalidResourceNameFault"/>
      <wsdl:fault message="wsdai:InvalidDatasetFormatFault" name="InvalidDatasetFormatFault"/>
      <wsdl:fault message="wsdai:NotAuthorizedFault" name="NotAuthorizedFault"/>
      <wsdl:fault message="wsdair:InvalidPositionFault" name="InvalidPositionFault"/>
      <wsdl:fault message="wsdair:InvalidCountFault" name="InvalidCountFault"/>
    </wsdl:operation>

    <wsdl:operation name="GetSQLRowset">
      <wsdl:input message="wsdair:GetSQLRowsetRequest"/>
      <wsdl:output message="wsdair:GetSQLRowsetResponse"/>
      <wsdl:fault message="wsdai:InvalidResourceNameFault" name="InvalidResourceNameFault"/>
      <wsdl:fault message="wsdai:InvalidDatasetFormatFault" name="InvalidDatasetFormatFault"/>
      <wsdl:fault message="wsdai:NotAuthorizedFault" name="NotAuthorizedFault"/>
      <wsdl:fault message="wsdair:InvalidPositionFault" name="InvalidPositionFault"/>
      <wsdl:fault message="wsdair:InvalidCountFault" name="InvalidCountFault"/>
    </wsdl:operation>

    <wsdl:operation name="GetSQLUpdateCount">
      <wsdl:input message="wsdair:GetSQLUpdateCountRequest"/>
      <wsdl:output message="wsdair:GetSQLUpdateCountResponse"/>
      <wsdl:fault message="wsdai:InvalidResourceNameFault" name="InvalidResourceNameFault"/>
      <wsdl:fault message="wsdai:NotAuthorizedFault" name="NotAuthorizedFault"/>

```

```

<wsdl:fault message="wsdair:InvalidPositionFault" name="InvalidPositionFault"/>
<wsdl:fault message="wsdair:InvalidCountFault" name="InvalidCountFault"/>
</wsdl:operation>

<wsdl:operation name="GetSQLReturnValue">
  <wsdl:input message="wsdair:GetSQLReturnValueRequest"/>
  <wsdl:output message="wsdair:GetSQLReturnValueResponse"/>
<wsdl:fault message="wsdai:InvalidResourceNameFault" name="InvalidResourceNameFault"/>
<wsdl:fault message="wsdai:NotAuthorizedFault" name="NotAuthorizedFault"/>
<wsdl:fault message="wsdair:InvalidPositionFault" name="InvalidPositionFault"/>
<wsdl:fault message="wsdair:InvalidCountFault" name="InvalidCountFault"/>
</wsdl:operation>

<wsdl:operation name="GetSQLOutputParameter">
  <wsdl:input message="wsdair:GetSQLOutputParameterRequest"/>
  <wsdl:output message="wsdair:GetSQLOutputParameterResponse"/>
<wsdl:fault message="wsdai:InvalidResourceNameFault" name="InvalidResourceNameFault"/>
<wsdl:fault message="wsdai:NotAuthorizedFault" name="NotAuthorizedFault"/>
<wsdl:fault message="wsdair:InvalidPositionFault" name="InvalidPositionFault"/>
<wsdl:fault message="wsdair:InvalidCountFault" name="InvalidCountFault"/>
</wsdl:operation>

<wsdl:operation name="GetSQLCommunicationArea">
  <wsdl:input message="wsdair:GetSQLCommunicationAreaRequest"/>
  <wsdl:output message="wsdair:GetSQLCommunicationAreaResponse"/>
<wsdl:fault message="wsdai:InvalidResourceNameFault" name="InvalidResourceNameFault"/>
<wsdl:fault message="wsdai:NotAuthorizedFault" name="NotAuthorizedFault"/>
<wsdl:fault message="wsdair:InvalidPositionFault" name="InvalidPositionFault"/>
<wsdl:fault message="wsdair:InvalidCountFault" name="InvalidCountFault"/>
</wsdl:operation>
</wsdl:portType>

<wsdl:portType name="SQLResponseFactoryPT">

  <wsdl:operation name="GetSQLRowsetFactory">
    <wsdl:input message="wsdair:GetSQLRowsetFactoryRequest"/>
    <wsdl:output message="wsdair:GetSQLRowsetFactoryResponse"/>
<wsdl:fault message="wsdai:InvalidResourceNameFault" name="InvalidResourceNameFault"/>
<wsdl:fault message="wsdai:NotAuthorizedFault" name="NotAuthorizedFault"/>
<wsdl:fault message="wsdair:InvalidPositionFault" name="InvalidPositionFault"/>
<wsdl:fault message="wsdair:InvalidCountFault" name="InvalidCountFault"/>
</wsdl:operation>

</wsdl:portType>
</wsdl:definitions>

```

Appendix C.1 – SQLRowSetAccess XML Schema

```

<?xml version="1.0" encoding="UTF-8"?>
<xsd:schema xmlns:wrs="http://java.sun.com/xml/ns/jdbc"
  xmlns:wsdai="http://www.ggf.org/namespaces/2005/12/WS-DAI"
  xmlns:wsdair="http://www.ggf.org/namespaces/2005/12/WS-DAIR"
  xmlns:xsd="http://www.w3.org/2001/XMLSchema"
  targetNamespace="http://www.ggf.org/namespaces/2005/12/WS-DAIR">

  <xsd:import namespace="http://java.sun.com/xml/ns/jdbc" schemaLocation="webrowset-jdbc150.xsd"/>
  <xsd:import namespace="http://www.ggf.org/namespaces/2005/12/WS-DAI" schemaLocation="wsdai_core_types.xsd"/>

  <!-- rowset description -->
  <xsd:complexType name="RowSchemaType">
    <xsd:sequence>
      <xsd:element ref="wrs:metadata"/>
    </xsd:sequence>
  </xsd:complexType>
  <xsd:element name="RowSchema" type="wsdair:RowSchemaType"/>

  <xsd:element name="NoOfRows" type="xsd:int"/>

```

```

<!-- rowset access -->
<xsd:element name="AccessMode">
  <xsd:simpleType>
    <xsd:restriction base="xsd:token">
      <xsd:enumeration value="Forward"/>
      <xsd:enumeration value="Random"/>
    </xsd:restriction>
  </xsd:simpleType>
</xsd:element>

<!-- the properties that describe a rowset service -->
<xsd:complexType name="SQLRowsetPropertyDocumentType">
  <xsd:complexContent>
    <xsd:extension base="wsdai:PropertyDocumentType">
      <xsd:sequence>
        <xsd:element maxOccurs="1" minOccurs="1" ref="wsdair:RowSchema"/>
        <xsd:element maxOccurs="1" minOccurs="1" ref="wsdair:NoOfRows"/>
        <xsd:element maxOccurs="1" minOccurs="1" ref="wsdair:AccessMode"/>
      </xsd:sequence>
    </xsd:extension>
  </xsd:complexContent>
</xsd:complexType>
<xsd:element name="SQLRowsetPropertyDocument" type="wsdair:SQLRowsetPropertyDocumentType"/>

<!-- the properties used to configure a sql rowset data resource -->
<xsd:complexType name="SQLRowsetConfigurationDocumentType">
  <xsd:complexContent>
    <xsd:extension base="wsdai:ConfigurationDocumentType">
      <xsd:sequence>
        <xsd:element maxOccurs="1" minOccurs="0" ref="wsdair:AccessMode"/>
      </xsd:sequence>
    </xsd:extension>
  </xsd:complexContent>
</xsd:complexType>
<xsd:element name="SQLRowsetConfigurationDocument" substitutionGroup="wsdai:ConfigurationDocument"
type="wsdair:SQLRowsetConfigurationDocumentType"/>
</xsd:schema>

```

Appendix C.2 – SQLRowSetAccess WSDL

```

<?xml version="1.0" encoding="UTF-8"?>
<wsdl:definitions xmlns:wsdai="http://www.ggf.org/namespaces/2005/12/WS-DAI"
  xmlns:wsdair="http://www.ggf.org/namespaces/2005/12/WS-DAIR"
  xmlns:wsdl="http://schemas.xmlsoap.org/wsdl/"
  xmlns:xsd="http://www.w3.org/2001/XMLSchema"
  name="wsdair"
  targetNamespace="http://www.ggf.org/namespaces/2005/12/WS-DAIR">

  <!-- WSDL IMPORTS ##### -->
  <wsdl:import location="wsdai_core_porttypes.wsdl" namespace="http://www.ggf.org/namespaces/2005/12/WS-DAI"/>

  <!-- WSDL TYPES ##### -->
  <wsdl:types>
    <xsd:schema elementFormDefault="qualified" targetNamespace="http://www.ggf.org/namespaces/2005/12/WS-DAIR">
      <xsd:import namespace="http://www.ggf.org/namespaces/2005/12/WS-DAI"
        schemaLocation="wsdai_core_types.xsd"/>
      <xsd:include schemaLocation=". /wsdair_sqlaccess_types.xsd"/>
      <xsd:include schemaLocation="wsdair_sqlrowset_types.xsd"/>

      <xsd:element name="InvalidPositionFault">
        <xsd:complexType/>
      </xsd:element>

      <xsd:element name="InvalidCountFault">
        <xsd:complexType/>
      </xsd:element>

    </xsd:schema>
  </wsdl:types>

  <!-- ##### -->

```

```

<!-- ### GetTuples Message Types ### -->
<!-- ##### -->
  <xsd:element name="GetTuplesRequest">
    <xsd:complexType>
      <xsd:complexContent>
        <xsd:extension base="wsdai:RequestType">
          <xsd:sequence>
            <xsd:element maxOccurs="1" minOccurs="1" name="Position"
type="xsd:unsignedInt"/>
            <xsd:element maxOccurs="1" minOccurs="0" name="Count" type="xsd:unsignedInt"/>
          </xsd:sequence>
        </xsd:extension>
      </xsd:complexContent>
    </xsd:complexType>
  </xsd:element>

  <xsd:element name="GetTuplesResponse">
    <xsd:complexType>
      <xsd:sequence>
        <xsd:element maxOccurs="1" minOccurs="1" ref="wsdai:Dataset"/>
      </xsd:sequence>
    </xsd:complexType>
  </xsd:element>

</xsd:schema>
</wsdl:types>

<!-- WSDL MESSAGES ##### -->

  <wsdl:message name="InvalidPositionFault">
    <wsdl:part element="wsdair:InvalidPositionFault" name="InvalidPositionFault"/>
  </wsdl:message>

  <wsdl:message name="InvalidCountFault">
    <wsdl:part element="wsdair:InvalidCountFault" name="InvalidCountFault"/>
  </wsdl:message>

  <!-- ##### -->
  <!-- ### GetRowsetPropertyDocument Messages ### -->
  <!-- ##### -->
  <wsdl:message name="GetSQLRowsetPropertyDocumentRequest">
    <wsdl:part element="wsdai:GetDataResourcePropertyDocumentRequest"
name="GetSQLRowsetPropertyDocumentRequest"/>
  </wsdl:message>

  <wsdl:message name="GetSQLRowsetPropertyDocumentResponse">
    <wsdl:part element="wsdair:SQLRowsetPropertyDocument" name="GetSQLRowsetPropertyDocumentResponse"/>
  </wsdl:message>

  <!-- ##### -->
  <!-- ### GetTuples Messages ### -->
  <!-- ##### -->
  <wsdl:message name="GetTuplesRequest">
    <wsdl:part element="wsdair:GetTuplesRequest" name="GetTuplesRequest"/>
  </wsdl:message>

  <wsdl:message name="GetTuplesResponse">
    <wsdl:part element="wsdair:GetTuplesResponse" name="GetTuplesResponse"/>
  </wsdl:message>

<!-- WSDL PORT TYPES ##### -->
  <wsdl:portType name="SQLRowsetPT">

    <wsdl:operation name="GetSQLRowsetPropertyDocument">
      <wsdl:input message="wsdair:GetSQLRowsetPropertyDocumentRequest"
name="GetSQLRowsetPropertyDocumentRequest"/>
      <wsdl:output message="wsdair:GetSQLRowsetPropertyDocumentResponse"
name="GetSQLRowsetPropertyDocumentResponse"/>
      <wsdl:fault message="wsdai:InvalidResourceNameFault" name="InvalidResourceNameFault"/>
    </wsdl:operation>

```



```
<wsdl:operation name="GetTuples">
  <wsdl:input message="wsdair:GetTuplesRequest"/>
  <wsdl:output message="wsdair:GetTuplesResponse"/>
  <wsdl:fault message="wsdair:InvalidResourceNameFault" name="InvalidResourceNameFault"/>
  <wsdl:fault message="wsdair:InvalidPositionFault" name="InvalidPositionFault"/>
  <wsdl:fault message="wsdair:InvalidCountFault" name="InvalidCountFault"/>
</wsdl:operation>

</wsdl:portType>

</wsdl:definitions>
```